

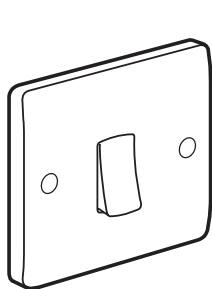
Synergy®
10 AX Plate switches

Cat. No(s) : 7300 00/01/02/03/04/05/06/08/24
 7301 01/02/03/24

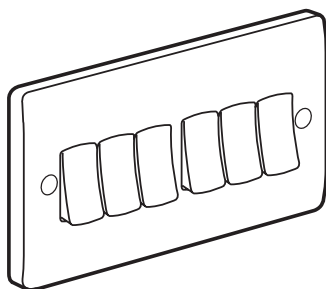
CONTENTS

Page

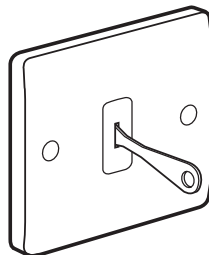
1. Applications	1
2. White range	1
3. Switches with led indicators/locators	1
4. Dimensions	2
5. Installation	2
6. Connection	2
7. General characteristics	3
8. Maintenance	3
9. Accessories	3
10. Conformity to standards	3



7300 00



7300 06



7300 08

1. APPLICATIONS

Mechanisms for the control of resistive or inductive lighting loads or similar which can be optionally equipped with LED indicators/locators.

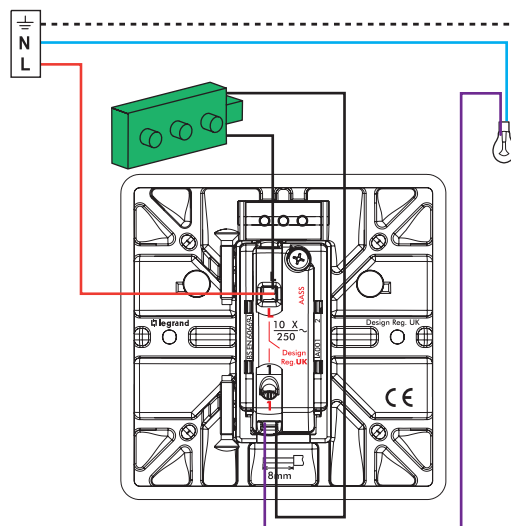
2. WHITE RANGE

Description	Cat. N°	Characteristics	Weight (g)
1 gang, 1 way	7300 00	10 AX, 250 V _~	66
1 gang, 2 way	7300 01	10 AX, 250 V _~	70
1 gang, 2 way	7301 01	10 AX, 250 V _~ screwless terminals	70
1 gang, intermediate	7300 05	10 AX, 250 V _~	72
2 gang, 2 way	7300 02	10 AX, 250 V _~	79
2 gang, 2 way	7301 02	10 AX, 250 V _~ screwless terminals	79
3 gang, 2 way	7300 03	10 AX, 250 V _~	87
3 gang, 2 way	7301 03	10 AX, 250 V _~ screwless terminals	87
4 gang, 2 way	7300 04	10 AX, 250 V _~	141
6 gang, 2 way	7300 06	10 AX, 250 V _~	161
1 gang, 2 way keyswitch	7300 08	10 AX, 250 V _~	73
2 gang 1 way	7300 24	10 AX, 250 V _~	79
3 gang 1 way	7301 24	10 AX, 250 V _~	87

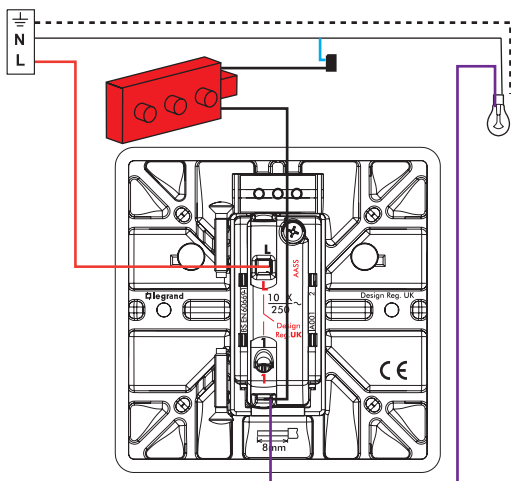
3. SWITCHES WITH LED INDICATORS/LOCATORS

Can be used as indicators or locators. When used as an indicator a neutral supply has to be brought to the unit.

Locator



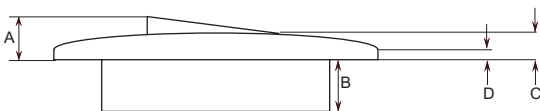
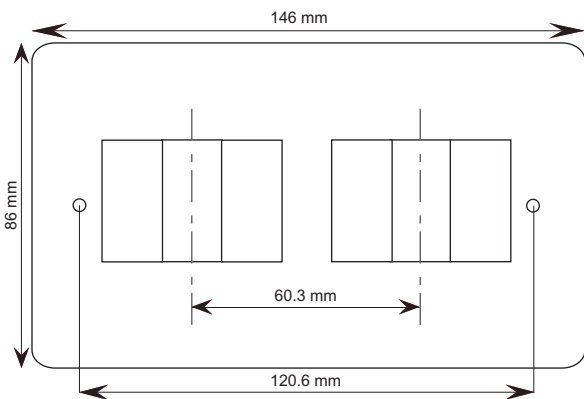
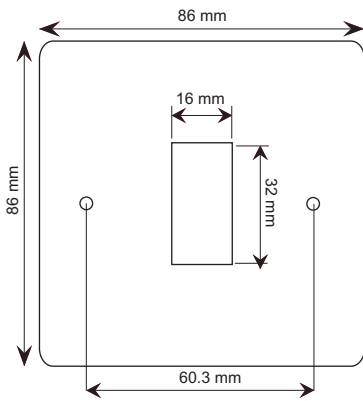
Power indicator



Synergy® 10 AX Plate switches

Cat. No(s) : 7300 00/01/02/03/04/05/06/08/24
7301 01/02/03/24

4. DIMENSIONS (mm)



	Mechanisms with screw terminals	Mechanisms with screwless terminals	2 way key switch 7300 08
A	11.5 mm	11.5 mm	7 mm*
B	13.7 mm	15.1 mm	13.7 mm
C	7 mm	7 mm	7 mm
D	4.5 mm	4.5 mm	4.5 mm

* = max faceplate depth

5. INSTALLATION

Flush mounting :

- All products supplied with 2 x M 3.5 fixing screws and 2 thermo-plastic screw covers. It is recommended that redundant top and bottom fixing lugs in metal back boxes are bent back to increase room for mechanisms and their attendant wiring.
- 16 mm minimum depth back box.
- 25 mm recommended depth back box.

Surface mounting :

Patress	1 gang	2 gang
depth 16 mm	7364 03	7364 08
depth 35 mm	7364 06	7364 10

6. CONNECTION

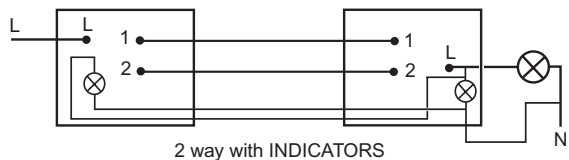
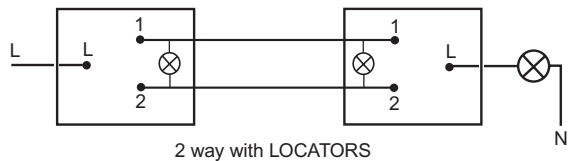
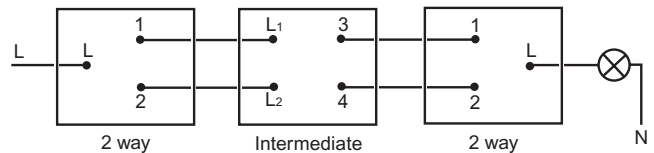
6.1 Terminals

- Terminal capacity : 4 x 1 mm²
4 x 1.5 mm²
2 x 2.5 mm²
1 x 4 mm²
- Recommended screwdriver size : 4 mm flat blade
- Recommended terminal tightening torque : 0.5 Nm

6.2 Terminals (screwless type)

- Direct cable connection (after stripping) without the use of a tool
- Maximum conductor size : 2.5 mm²
- Maximum of 2 conductors per pole.
- Recommended strip-back : 11 mm

6.3 Circuit diagrams



7. GENERAL CHARACTERISTICS

7.1 Mechanical characteristics

- IP rating : IP2X
- IK rating : IK01

7.2 Electrical characteristics

- Contact clearance > 3 mm

7.3 Material properties

- Base : Polypropylene self-extinguishing at 850° C / 30 s
- Rocker/frontplate : Thermoset urea self-extinguishing at 960° C / 30 s
- Fixing screw concealment plugs : polycarbonate.

7.4 Resistance to chemicals

Resistance to chemical agents	PC	UREA
Acetone	n	l
Acetic acid 10 %	s	-
Hydrochloric acid	s (20%)	n
Citric acid 10 %	s	-
Hydrofluoric acid 4 %	s	l
Lactic acid 10 %	s	-
Nitric acid 10 %	s	-
Phosphoric acid 85 %	l	n
Sulphuric acid 25 %	s	n
Tannic acid	n	-
Cleaning agents containing traces of ammonia quaternaires	n	s
Ethyl alcohol	s	l
Methyl alcohol (methanol)	l	l
Ammonia	n	l
Aniline	n	l
Benzene	n	l
Lime	n	l
Liquid chlorine	n	-
Barium chloride	s	-
Chlorinated lime 20 %	s	-
Javel water	s	-
Seawater	s	-
Oil	s	s
Milk	s	-
Fuel	s	l
Petroleum oil, petroleum ether	l	l
Caustic soda	n (40%)	s (25%)
Sugar	s	-
Toluene	n	-
Trichlorethylene	n	l
Urine	s	-
Wine	s	-

s = satisfactory
 l = limit
 n = not satisfactory

7.5 Functional limitations

- Products may be stored and used at temperatures between - 5°C and + 40° C
- Maximum average ambient temperature in any 24 hour period next to exceed 25° C.

8. MAINTENANCE

The use of abrasive or solvent-based cleaners is strictly forbidden as it could result in irreparable damage to the product's external surfaces. We recommend the use of a soft, slightly damp cloth to remove fingerprints, etc...

9. ACCESSORIES

- Key spare : Cat. N° 081177
- LED pack : Cat. N° 7301 58 for locator usage* (10 per pack)
 Cat. N° 7300 58 for indicator usage* (10 per pack)
- Fixing screw concealment plugs : Cat. N° 7301 53 (50 per pack).
- 7301 52 : Looping terminal for connection of LED packs.

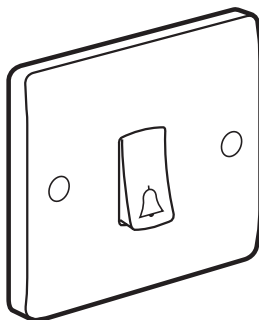
***Note : For installation tests, ensure LED packs are disconnected.**

10. CONFORMITY TO STANDARDS

Conform to BS EN 60669-1.

Synergy®
10 A Push switches

Cat. No(s) : 7300 07/11 - 7301 07



1. APPLICATIONS

Mechanisms for the control of bells, buzzers, etc... Can be optionally equipped with LED indicators/locators.

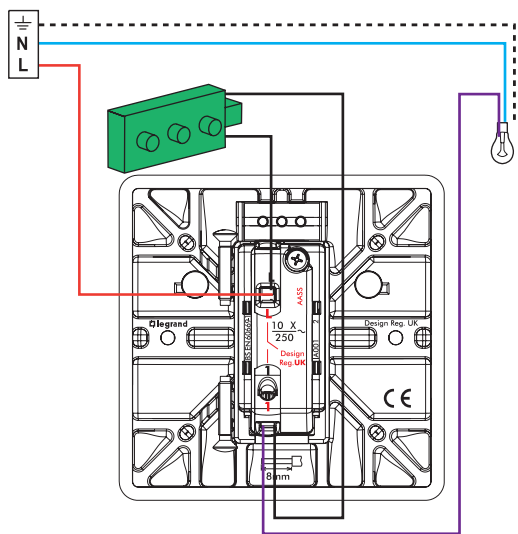
2. WHITE RANGE

Description	Cat. N°	Characteristics	Weight (g)
Two way push switch	7300 07	10 A, 250 V _~	68
Two way push switch with bell symbol	7301 07	10 A, 250 V _~	68
Two way with "press" symbol	7300 11	10 A, 250 V _~	68

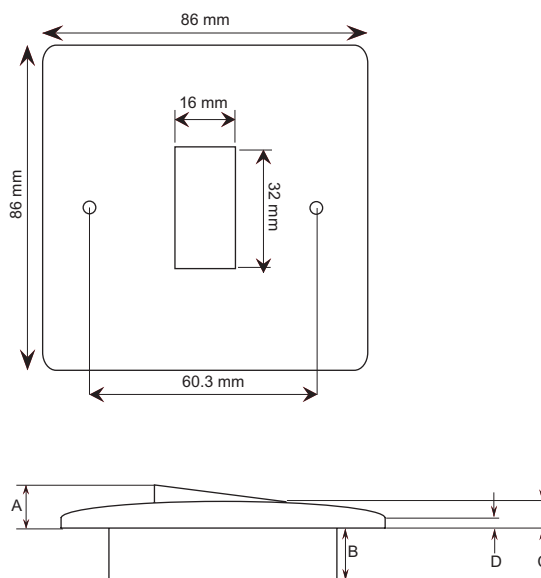
3. PUSH SWITCHES WITH LED INDICATORS/LOCATORS

Can be wired as indicators or locators. When used as an indicator a neutral supply has to be brought to the unit.

Locator



4. DIMENSIONS (mm)



- A : 11.5 mm
- B : 13.7 mm
- C : 7 mm
- D : 4.5 mm

5. INSTALLATION

Flush mounting :

- All products supplied with 2 x M 3.5 fixing screws and 2 thermo-plastic screw covers. It is recommended that redundant top and bottom fixing lugs in metal back boxes are bent back to increase room for mechanisms and their attendant wiring.
- 16 mm minimum depth back box
- 25 mm recommended depth back box.

Surface mounting :

- Use either 16 mm depth pattress, Cat. N° 7364 03
- or 35 mm depth pattress, Cat. N° 7364 06.

6. CONNECTION

6.1 Terminals

- Terminal capacity : 4 x 1 mm²
4 x 1.5 mm²
2 x 2.5 mm²
1 x 4 mm²
- Recommended screwdriver size : 4 mm flat blade
- Recommended terminal tightening torque : 0.5 Nm

6.2 Terminals (screwless type)

- Direct cable connection (after stripping) without the use of a tool
- Maximum conductor size : 2.5 mm²
- Maximum of 2 conductors per pole.
- Recommended strip-back : 11 mm

7. GENERAL CHARACTERISTICS

7.1 Mechanical characteristics

- IP rating : IP2X
- IK rating : IK01

7.2 Electrical characteristics

- Contact clearance > 3 mm

7.3 Material properties

- Base : Polypropylene self-extinguishing at 850° C / 30 s
- Rocker/frontplate thermoset : urea self-extinguishing at 960° C / 30 s
- Fixing screw concealment plugs : polycarbonate.

7.4 Resistance to chemicals

Resistance to chemical agents	PC	UREA
Acetone	n	l
Acetic acid 10 %	s	-
Hydrochloric acid	s (20%)	n
Citric acid 10 %	s	-
Hydrofluoric acid 4 %	s	l
Lactic acid 10 %	s	-
Nitric acid 10 %	s	-
Phosphoric acid 85 %	l	n
Sulphuric acid 25 %	s	n
Tannic acid	n	-
Cleaning agents containing traces of ammonia quaternaires	n	s
Ethyl alcohol	s	l
Methyl alcohol (methanol)	l	l
Ammonia	n	l
Aniline	n	l
Benzene	n	l
Lime	n	l
Liquid chlorine	n	-
Barium chloride	s	-
Chlorinated lime 20 %	s	-
Javel water	s	-
Seawater	s	-
Oil	s	s
Milk	s	-
Fuel	s	l
Petroleum oil, petroleum ether	l	l
Caustic soda	n (40%)	s (25%)
Sugar	s	-
Toluene	n	-
Trichlorethylene	n	l
Urine	s	-
Wine	s	-

s = satisfactory
l = limit
n = not satisfactory

7. GENERAL CHARACTERISTICS

7.5 Functional limitations

- Products may be stored and used at temperatures between - 5° C and + 40° C
- Maximum average ambient temperature in any 24 hour period not to exceed 25° C.

8. MAINTENANCE

The use of abrasive or solvent-based cleaners is strictly forbidden as it could result in irreparable damage to the product's external surfaces. We recommend the use of a soft, slightly damp cloth to remove fingerprints, etc...

9. ACCESSORIES

- LED pack : Cat. N° 7301 58 for locator usage* (10 per pack)
Cat. N° 7300 58 for indicator usage* (10 per pack)
- Fixing screw concealment plugs : Cat. N° 7301 53 (50 per pack).

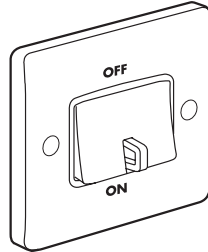
*Note : For installation tests, ensure LED packs are disconnected.

10. CONFORMITY TO STANDARDS

Conform to BS EN 60669-1.

Synergy®
3 pole isolator switch

Cat. No(s) : 7300 09



7300 09

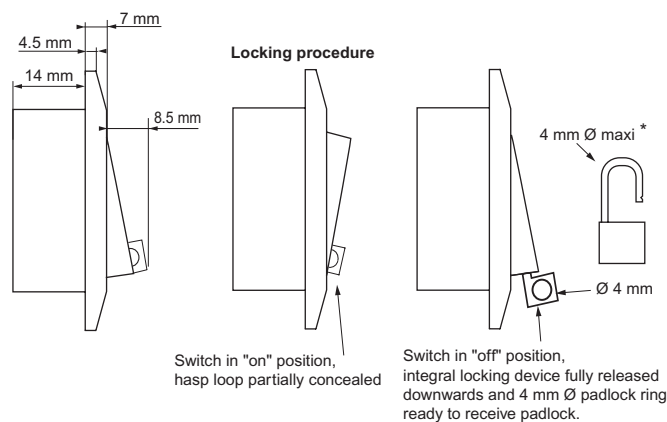
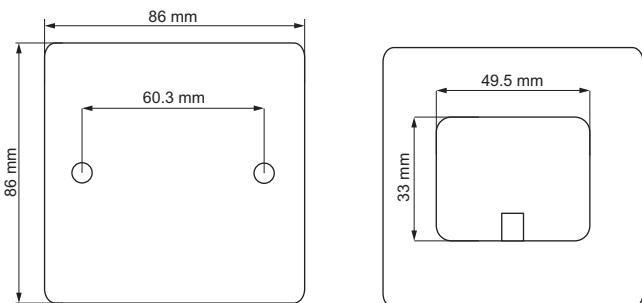
1. APPLICATIONS

Device for the local isolation of equipment having a 250 Vac. L + N supply and an additional permanent "L" feed. Typical examples include extractor fans with "delay-on" feature or boiler 250 Vac control switches. Requires the purchase of a padlock which has a 4 mm maximum diameter hasp.

2. WHITE RANGE

Description	Cat. N°	Characteristics	Weight (g)
3 pole, 1 way	7300 09	10 A, 250 V~	83

3. DIMENSIONS (mm)



* Padlock not included in Cat. N° 7300 09

4. INSTALLATION

Flush mounting :

- All products supplied with 2 x M 3.5 fixing screws and 2 thermoplastic screw covers. It is recommended that redundant top and bottom fixing lugs are bent back to increase room for mechanisms and their attendant wiring.
- 16 mm minimum depth back boxes.
- 25 mm recommended depth back boxes.

Surface mounting : 1 gang 35 mm deep pattress, Cat. N° 7364 06

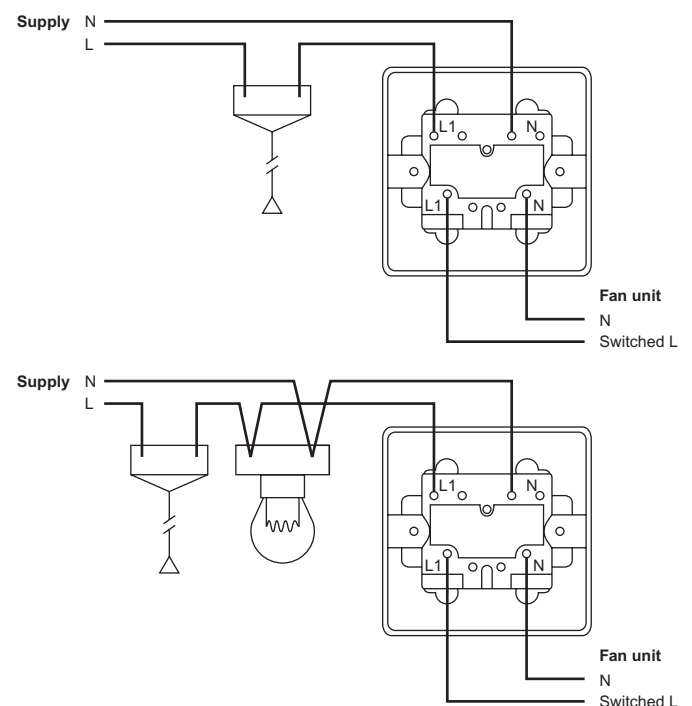
5. CONNECTION

5.1 Terminals

- Terminal capacity 2 x 2.5 mm²
- Recommended screwdriver size : 4 mm flat blade
- Recommended terminal tightening torque : 0.5 Nm
- Recommended strip-back : 11 mm

5.2 Circuit diagrams

Double pole switching for fan without run-on-timer



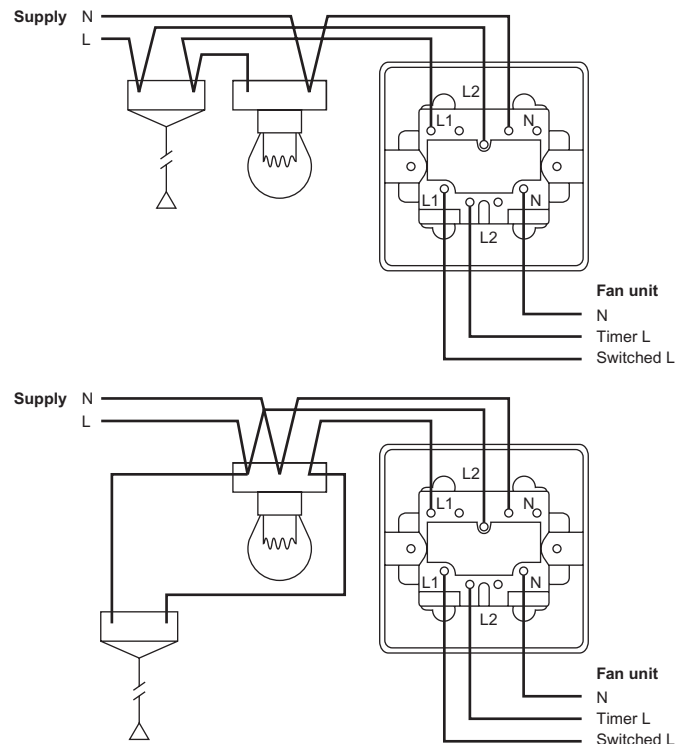
Synergy® 3 pole isolator switch

Cat. No(s) : 7300 09

5. CONNECTION (continued)

5.2 Circuit diagrams

Triple pole switching for fan with run-on-timer



6. GENERAL CHARACTERISTICS

6.1 Mechanical characteristics

- IP rating : IP2X
- IK rating : IK01

6.2 Electrical characteristics

- Contact clearance > 3 mm

6.3 Material properties

- Base : polypropylene, self-extinguishing at 850° C / 30 s
- Rocker : polycarbonate, self-extinguishing at 850° C / 30 s
- Frontplate : thermoset urea
self-extinguishing at 960° C / 30 s
- Fixing screw concealment plugs : polycarbonate as above
- Padlock retaining device : ABS self-extinguishing 650° C / 5 s

6. GENERAL CHARACTERISTICS (continued)

6.4 Resistance to chemicals

Resistance to chemical agents	PC	UREA	ABS
Acetone	n	l	n
Acetic acid 10 %	S	-	S
Hydrochloric acid	S (20%)	n	S (10%)
Citric acid 10 %	S	-	S
Hydrofluoric acid 4 %	S	l	S
Lactic acid 10 %	S	-	S
Nitric acid 10 %	S	-	S
Phosphoric acid 85 %	l	n	S
Sulphuric acid 25 %	S	n	S
Tannic acid	n	-	-
Cleaning agents containing traces of ammonia quaternaires	n	S	S
Ethyl alcohol	S	l	l
Methyl alcohol (methanol)	l	l	l
Ammonia	n	l	S
Aniline	n	l	n
Benzene	n	l	n
Lime	n	l	-
Liquid chlorine	n	-	-
Barium chloride	S	-	S
Chlorinated lime 20 %	S	-	S
Javel water	S	-	S
Seawater	S	-	S
Oil	S	S	S
Milk	S	-	S
Fuel	S	l	-
Petroleum oil, petroleum ether	l	l	l
Caustic soda	n (40%)	S (25%)	S (40%)
Sugar	S	-	-
Toluene	n	-	n
Trichlorethylene	n	l	n
Urine	S	-	-
Wine	S	-	S

S = satisfactory

l = limit

n = not satisfactory

6.5 Functional limitations

- Products may be stored and used at temperatures between - 5° C and + 40° C
- Maximum average ambient temperature in any 24 hour period not to exceed 25° C.

7. MAINTENANCE

The use of abrasives or solvent-based cleaners is strictly forbidden as it could result in irreparable damage to the product's external surfaces. We recommend the use of a soft, slightly damp cloth to remove fingerprints, etc...

8. ACCESSORIES

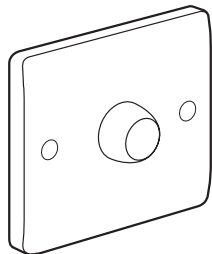
Spare faceplate screw concealment plugs : Cat. N° 7301 53 (pack of 50)

9. CONFORMITY TO STANDARDS

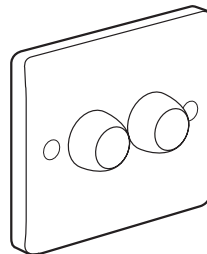
Conforms to BS EN 60669-2-4.

Synergy® Dimmers

Cat. No(s) : 7300 46/47/48



7300 46



7300 47

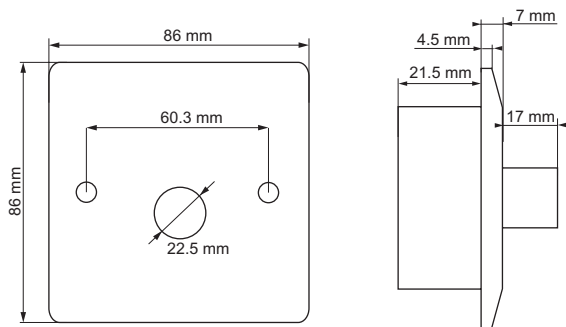
1. APPLICATIONS

Mechanisms for the dimming of lighting loads having a push on / push off action.

2. WHITE RANGE

Description	Cat. N°	Characteristics	Weight (g)
1 gang	7300 46	ON-OFF 250 W, 50 Hz Rotary dimmer 1 or 2 way	95
2 gang	7300 47	ON-OFF 250 W, 50 Hz Rotary dimmer 1 or 2 way	141
1 gang	7300 48	ON-OFF 400 W, 50 Hz Rotary dimmer 1 or 2 way	96

3. DIMENSIONS (mm)



4. INSTALLATION

Flush mounting :

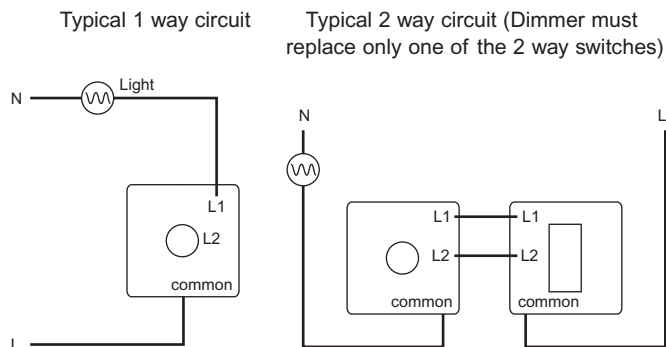
- All products supplied with 2 x M 3.5 fixing screws and 2 thermoplastic screw covers. It is recommended that redundant top and bottom fixing lugs in metal backboxes are bent back to increase room for mechanisms and their attendant wiring.
- 25 mm minimum depth backboxes.
- 35 mm recommended depth backboxes.

Surface mounting : 1 gang 35 mm deep pattress, Cat. N° 7364 06

5. CONNECTION

- 5.1 Terminal capacity:** 2 x 1.5 mm²
 Recommended screwdriver size : 3 mm flat blade
 Recommended tightening torque : 0.5 Nm

6. Wiring diagrams



Wires may be connected either way round to the "common" and the "L1" terminal

7. GENERAL CHARACTERISTICS

7.1 Mechanical characteristics

- IP rating : IP2X
- IK rating : IK01

7.2 Electrical characteristics

Voltage : 230 V (216 V to 253 V a. c.)
 Frequency : 50 Hz

- Cat. N° 7300 48
 Minimum load : 60 W
 Maximum load : 400 W } Suitable for mains voltage loads only.
 Thermal self-resetting overload protection
- Cat. N° 7300 46/47
 Minimum load : 40 W
 Maximum load : 250 W } Suitable for mains voltage loads and low voltage lighting applications using wire wound or electronic transformers.
 Not suitable for fluorescent dimming.

- Maximum loadings (Cat. N°(s). 7300 46/47)

Mains lighting	Mains Halogen	Electronic LV	Wirewound LV
250 W	250 W	240 VA	240 VA

Feature intelligent auto-resetting overload protection and have soft start characteristics for extended lamp life.

7. GENERAL CHARACTERISTICS *(continued)*

7.3 Material properties

- Base : self-extinguishing at 850° C / 30 s
- Frontplate and button : thermoset urea, self-extinguishing at 960° C / 30 s
- Fixing screw concealment plugs : polycarbonate

7.4 Resistance to chemicals

Resistance to chemical agents	PC	UREA
Acetone	n	l
Acetic acid 10 %	S	-
Hydrochloric acid	S (20%)	n
Citric acid 10 %	S	-
Hydrofluoric acid 4 %	S	l
Lactic acid 10 %	S	-
Nitric acid 10 %	S	-
Phosphoric acid 85 %	l	n
Sulphuric acid 25 %	S	n
Tannic acid	n	-
Cleaning agents containing traces of ammonia quaternaires	n	S
Ethyl alcohol	S	l
Methyl alcohol (methanol)	l	l
Ammonia	n	l
Aniline	n	l
Benzene	n	l
Lime	n	l
Liquid chlorine	n	-
Barium chloride	S	-
Chlorinated lime 20 %	S	-
Javel water	S	-
Seawater	S	-
Oil	S	S
Milk	S	-
Fuel	S	l
Petroleum oil, petroleum ether	l	l
Caustic soda	n (40%)	S (25%)
Sugar	S	-
Toluene	n	-
Trichlorethylene	n	l
Urine	S	-
Wine	S	-

S = satisfactory
l = limit
n = not satisfactory

7.5 Functional limitations

- Products may be stored and used at temperatures between - 5°C and + 40° C
- Maximum average ambient temperature in any 24 hour period not to exceed 25° C.

8. MAINTENANCE

The use of abrasives or solvent-based cleaners is strictly forbidden as it could result in irreparable damage to the product's external surfaces. We recommend the use of a soft, slightly damp cloth to remove fingerprints, etc...

9. ACCESSORIES

Space faceplate screw concealment plugs: Cat. N° 7301 53 (50 per pack)

10. CONFORMITY TO STANDARDS

Conforms to BS EN 60669-2-1 : 2000 and BS EN 55015.