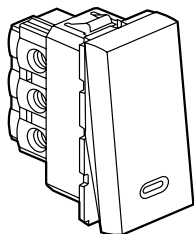
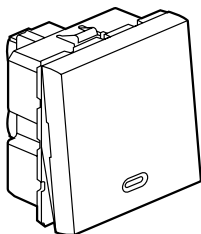


Arteor™ 10 AX switches with indicator

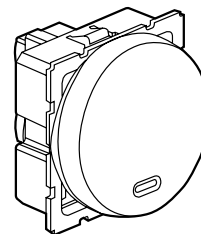
Cat. No(s).: 572 006/036/037/450/506/536/537
573 016/017/018/062/116/117/118/162



572 006/506



572 036/536

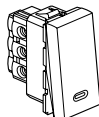
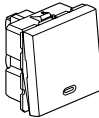
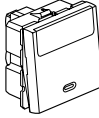
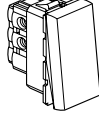
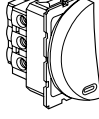
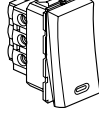
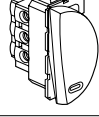
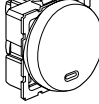


573 062/162

1. USE

General lighting control mechanisms with signalling elements (indicator light or label holder, color).

2. RANGE

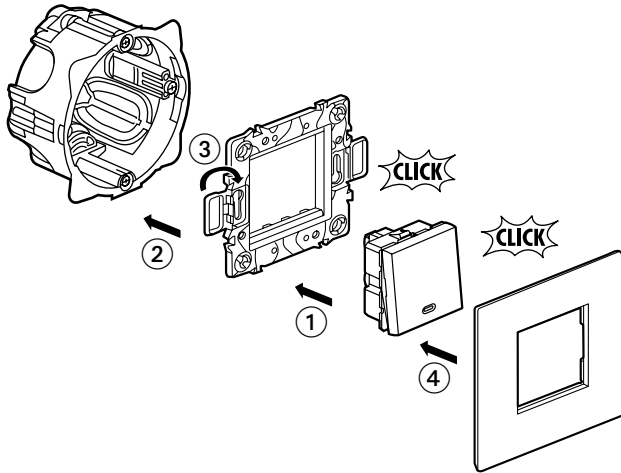
	Designation	Finishes.			Number of modules	Connection method	Weight (g)	Characteristics
		White	Magnesium	Red				
	Two-way switch with indicator (square)	572 006	572 506	-	1	with screws	24.4	10 AX - 250 VAC
	Two-way switch with indicator (square)	572 036	572 536	-	2	with screws	32.1	10 AX - 250 VAC
	Two-way switch with indicator and label holder (square)	572 037	572 537	-	2	with screws	31.5	10 AX - 250 VAC
	Two-way switch with red rocker (square)	-	-	572 450	1	with screws	21	10 AX - 250 VAC
	Two-way switch with indicator (round left)	573 016	573 116	-	1	with screws	24	10 AX - 250 VAC
	Two-way switch with indicator (round middle)	573 017	573 117	-	1	with screws	23.6	10 AX - 250 VAC
	Two-way switch with indicator (round right)	573 018	573 118	-	1	with screws	24	10 AX - 250 VAC
	Two-way switch with indicator (round)	573 062	573 162	-	2	with screws	31.5	10 AX - 250 VAC

Arteor™ 10 AX switches with indicator

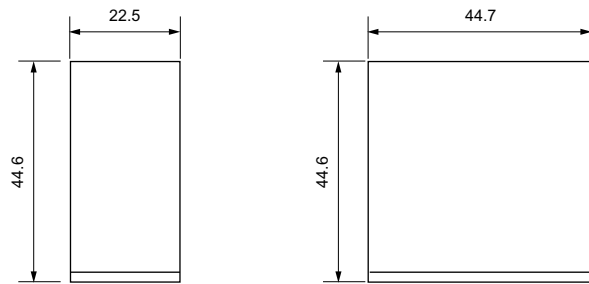
Cat. No(s).: 572 006/036/037/450/506/536/537
573 016/017/018/062/116/117/118/162

3. PREPARATION

The mechanisms can be flush-mounted or surface-mounted.

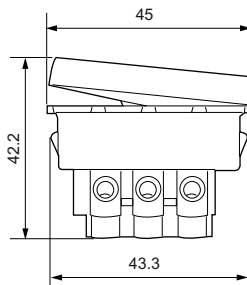


4. OVERALL DIMENSIONS



572 006/450/506
573 016/017/018/116/117/118

572 036/037/536/537
573 062/162



5. CONNECTION

Terminal: with screws
Capacity: 2 x 2.5 mm² or 1 x 4 mm²
Stripping: 10 mm
Screwdriver: 4 mm flat-blade up to 5.5 mm

6. OPERATION

Switch mechanism with locator and/or label holder.

7. TECHNICAL CHARACTERISTICS

7.1 Mechanical characteristics

Impact tests: IK 04
Protection by solid bodies/liquids: IP 40 (mounted)
IP 20 (alone)

7.2 Material characteristics

Rocker: Polycarbonate
Base: Polycarbonate
Basket: Polypropylene

7.3 Electrical characteristics

Voltage: 250 VAC
Current: 10 AX
Consumption of the indicator light: 0.95 mA
Self-extinguishing: 650°C / 30 s

7.4 Climatic characteristics

Storage temperatures: - 10° C to + 70° C
Operating temperatures: - 5° C to + 50° C

8. CLEANING

Surface cleaning with a cloth.
Do not use: acetone, tar remover, trichloroethylene.
Resistance to the following cleaning agents: Hexane (EN 60669-1), Methylated spirits, Soapy water, Diluted ammonia, Diluted pure bleach 10%, Glass cleaning substance, Pre-impregnated wipes.

Caution: A preliminary test should be carried out if other specific cleaning products are to be used.

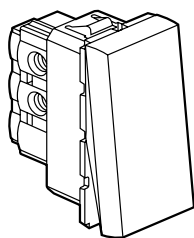
9. CONFORMITY AND APPROVALS

Approvals in process:

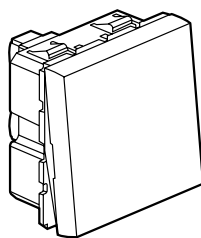
	IECEE	SABS	PAI	PSB	SONCAP	KEN
572 006 / 572 506	x	x	x		x	x
572 036 / 572 536	x	x		x		
572 037 / 572 537	x	x	x			
572 450	x		x	x		
573 016 / 573 116	x	x	x		x	x
573 017 / 573 117	x	x	x		x	x
573 018 / 573 118	x	x	x		x	x
573 062 / 573 162	x	x		x		

Arteor™ 10 AX switches

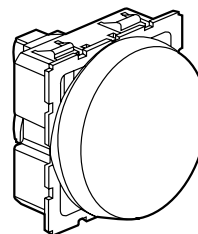
Cat. No(s): 572 004/005/034/035 - 572 504/505/534/535
573 010/011/012/013/014/015/060/061
573 110/111/112/113/114/115/160/161



572 004/504



572 034/035/534/535


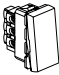

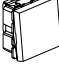
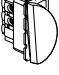









573 060/061/160/161

1. USE

General lighting control mechanisms.

2. RANGE

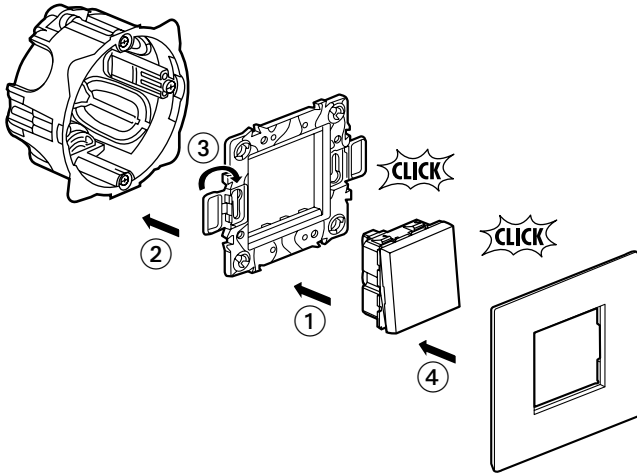
	Designation	Finishes.		No. of modules	Connection method	Weight (g)	Characteristics
		White	Magnesium				
	One-way switch (square)	572 004	572 504	1	with screws	21	10 AX - 250 VAC
	Two-way switch (square)	572 005	572 505	1	with screws	24	10 AX - 250 VAC
	One-way switch (square)	572 034	572 534	2	with screws	29.1	10 AX - 250 VAC
	Two-way switch (square)	572 035	572 535	2	with screws	31.9	10 AX - 250 VAC
	One-way switch (round left)	573 010	573 110	1	with screws	20.3	10 AX - 250 VAC
	One-way switch (middle)	573 011	573 111	1	with screws	20.9	10 AX - 250 VAC
	One-way switch (round right)	573 012	573 112	1	with screws	20.3	10 AX - 250 VAC
	Two-way switch (round left)	573 013	573 113	1	with screws	23.1	10 AX - 250 VAC
	Two-way switch (middle)	573 014	573 114	1	with screws	23.7	10 AX - 250 VAC
	Two-way switch (round right)	573 015	573 115	1	with screws	23.1	10 AX - 250 VAC
	One-way switch (round)	573 060	573 160	2	with screws	27.7	10 AX - 250 VAC
	Two-way switch (round)	573 061	573 161	2	with screws	30.5	10 AX - 250 VAC

Arteor™ 10 AX switches

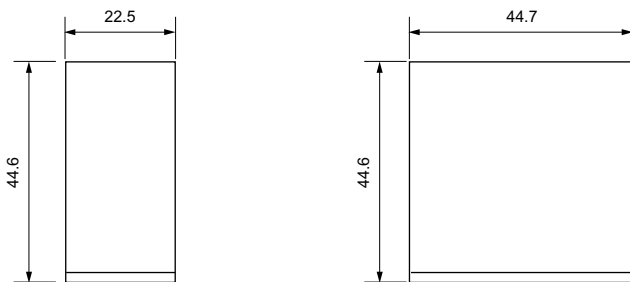
Cat. No(s): 572 004/005/034/035 - 572 504/505/534/535
573 010/011/012/013/014/015/060/061
573 110/111/112/113/114/115/160/161

3. PREPARATION

The mechanisms can be flush-mounted or surface-mounted.

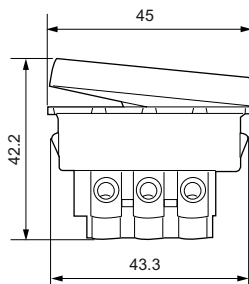


4. OVERALL DIMENSIONS



572 004/005/504/505
573 010/011/012/013/014/015
573 110/111/112/113/114/115

572 034/035/534/535
573 060/061/160/161



5. CONNECTION

Terminals: with screws
Capacity: 2 x 2.5 mm² or 1 x 4 mm²
Stripping: 10 mm
Screwdriver: 4 mm flat-blade up to 5.5 mm

6. OPERATION

Push button mechanism.

7. TECHNICAL CHARACTERISTICS

7.1 Mechanical characteristics

Impact tests: IK 04
Protection by solid bodies/liquids: IP 40 (mounted)
IP 20 (alone)

7.2 Material characteristics

Rocker: Polycarbonate
Base: Polycarbonate
Basket: Polypropylene

7.3 Electrical characteristics

Voltage: 250 VAC
Current: 10 AX
Self-extinguishing: 650° C / 30 s

7.4 Climatic characteristics

Storage temperatures: - 10° C to + 70° C
Operating temperatures: - 5° C to + 50° C

8. CLEANING

Surface cleaning with a cloth.
Do not use: acetone, tar remover, trichloroethylene.

Resistance to the following cleaning agents: Hexane (EN 60669-1), Methylated spirits, Soapy water, Diluted ammonia, Diluted pure bleach 10%, Glass cleaning substance, Pre-impregnated wipes.

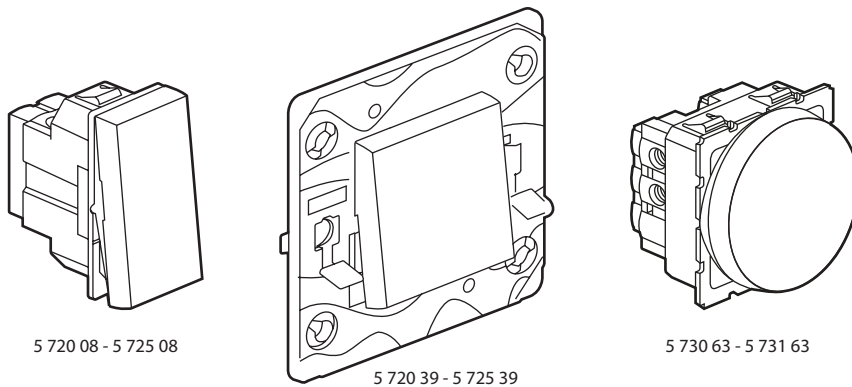
Caution: A preliminary test should be carried out if other specific cleaning products are to be used.

9. CONFORMITY - APPROVALS

Approvals in process : - IECEE
- SABS
- PAI
- PSB (except 572 034/534 and 573 060/160)
- SONCAP
- KEN

Arteor™ Intermediate switches

Cat. no(s): 5 720 08/38/39 - 5 725 08/38/39
 5 730 63/64 - 5 731 63/64

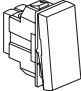
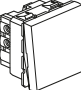

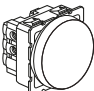



CONTENTS	Page
1. Use	1
2. Range	1
3. Preparation	2
4. Overall dimensions.....	2
5. Connection	2
6. Operation.....	2
7. Technical characteristics.....	2
8. Cleaning.....	2

1. USE

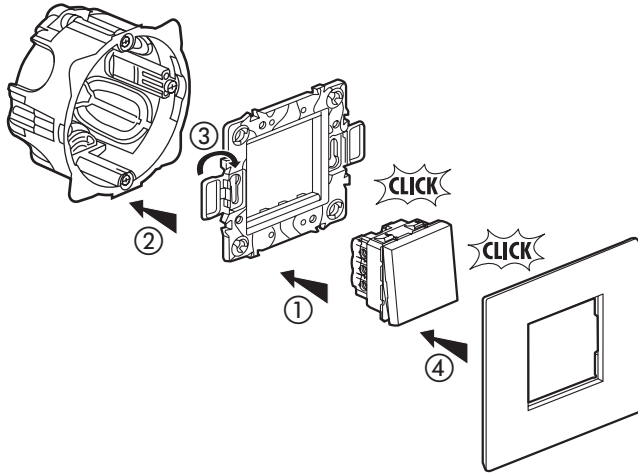
General lighting control mechanisms.

2. RANGE

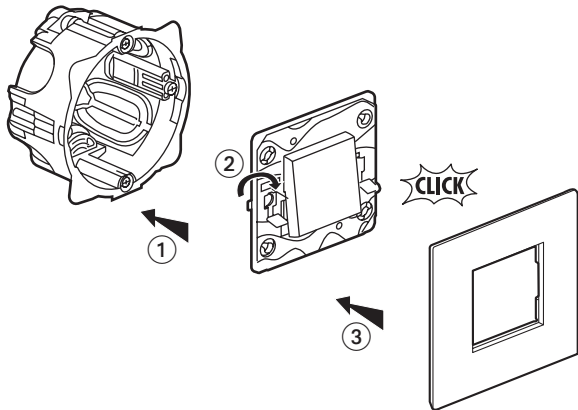
	Designation	Finishes		Number of modules	Connection method	Weight (g)	Characteristics
		White	Magnesium				
	Intermediate switch square	5 720 08	5 725 08	1	with screws	30	10 AX - 250 VAC
	Intermediate switch square	5 720 38	5 725 38	2	with screws	42	6/10 AX - 250 VAC
	Intermediate switch 1-gang square	5 720 39	5 725 39	2	with screws	72	6/10 AX - 250 VAC
	Intermediate switch round	5 730 63	5 731 63	2	with screws	41	6/10 AX - 250 VAC
	Intermediate switch 1-gang round	5 730 64	5 731 64	2	with screws	71	6/10 AX - 250 VAC

3. PREPARATION

The mechanisms can be flush-mounted or surface-mounted.

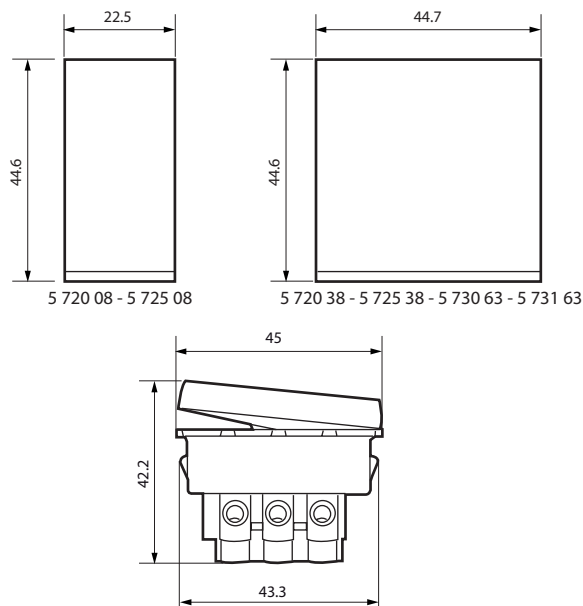


For: 5 720 08/38 - 5 725 08/38 - 5 730 63 - 5 731 63

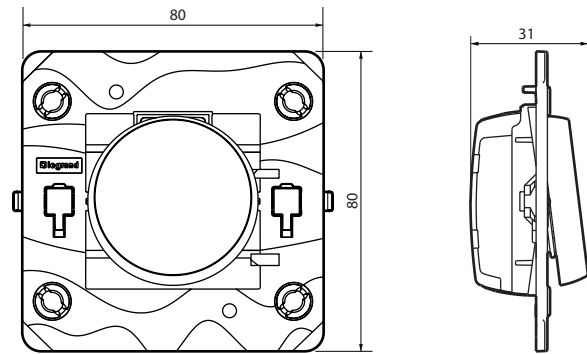


For: 5 720 39 - 5 725 39 - 5 730 64 - 5 731 64

4. OVERALL DIMENSIONS



4. OVERALL DIMENSIONS (continued)



5 720 39 - 5 725 39 - 5 730 64 - 5 731 64

5. CONNECTION

Terminals: with screws

Capacity and stripping:

	Capacity			Stripping
	4 x 2.5 mm ²	1 x 4 mm ²	1 x 6 mm ²	
5 720 08 - 5 725 08				8 mm
5 720 38/39 - 5 725 38/39 5 730 63/64 - 5 731 63/64	2 x 2.5 mm ²	1 x 4 mm ²		10 mm

Screwdriver: 4 mm flatblade up to 5.5 mm

6. OPERATION

Switching mechanism

7. TECHNICAL CHARACTERISTICS

7.1 Mechanical characteristics

Impact tests: IK 04

Protection by solid bodies / liquids: IP 40 (mounted)
IP 20 (alone)

7.2 Material characteristics

Rocker: Polycarbonate

Base: Polycarbonate

Basket: Polypropylene

7.3 Electrical characteristics

Voltage: 250 VAC

Current: 6/10 AX

Self-extinguishing: 650° C / 30 s

7.4 Climatic characteristics

Storage temperatures: - 10° C to + 70° C

Operating temperatures: - 5° C to + 50° C

8. CLEANING

Surface cleaning with a cloth.

Do not use: acetone, tar remover, trichloroethylene.

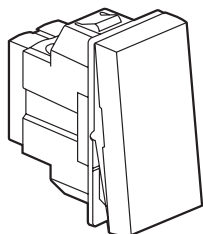
Resistance to the following agents: Hexane (EN 60669-1), Methylated spirits, Soapy water, Diluted ammonia, Diluted pure bleached 10%, Glass cleaning substance, Pre-impregnated wipes.

Caution: A preliminary test should be carried out if other specific cleaning products are to be used.

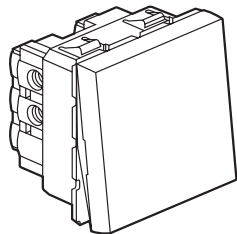
Arteor™ Double pole switches

Cat. No(s): 5 720 13/40/46/48 - 5 725 13/40/46/48
5 730 30/31/65/75/77 - 5 731 30/31/65/75/77

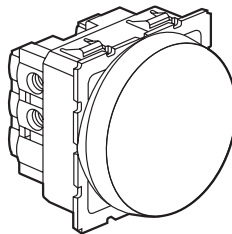
CONTENTS	Page
1. Use.....	1
2. Range.....	1
3. Preparation.....	2
4. Overall dimensions.....	2
5. Connection.....	2
6. Operation.....	2
7. Technical characteristics.....	2
8. Cleaning.....	2
9. Conformity - Approvals.....	3



5 720 13 - 5 725 13



5 720 40/46 - 5 725 40/46

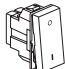





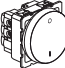
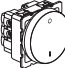



5 730 65/75 - 5 731 65/75

1. USE

General lighting control mechanisms.

2. RANGE

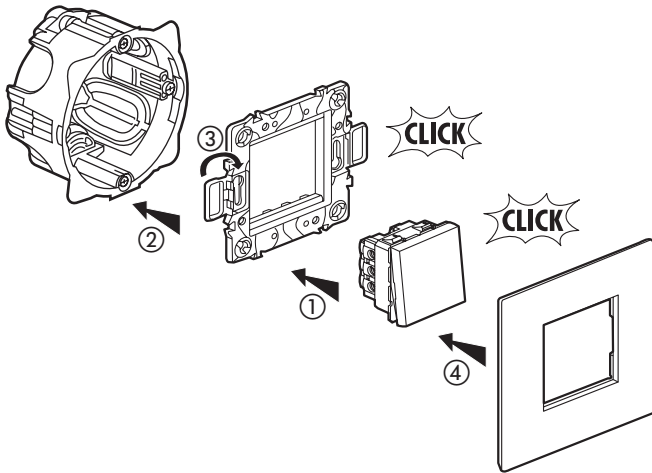
	Designation	Finishes		No. of modules	Connection method	Weight (g)	Characteristics
		White	Magnesium				
	Double pole switch one way (square)	5 720 13	5 725 13	1	with screws	30	20 AX - 250 VAC
	Double pole switch one way (square)	5 720 40	5 725 40	2	with screws	41	6/10 AX - 250 VAC
	Double pole switch one way (square)	5 720 46	5 725 46	2	with screws	42	20 AX - 250 VAC
	Double pole switch two way (square)	5 720 48	5 725 48	2	with screws	47	20 AX - 250 VAC
	Double pole switch one way (round left)	5 730 30	5 731 30	1	with screws	30	20 AX - 250 VAC
	Double pole switch one way (round right)	5 730 31	5 731 31	1	with screws	30	20 AX - 250 VAC
	Double pole switch one way (round)	5 730 65	5 731 65	2	with screws	40	6/10 AX - 250 VAC
	Double pole switch one way (round)	5 730 75	5 731 75	2	with screws	41	20 AX - 250 VAC
	Double pole switch two way (round)	5 730 77	5 731 77	2	with screws	46	20 AX - 250 VAC

Arteor™ Double pole switches

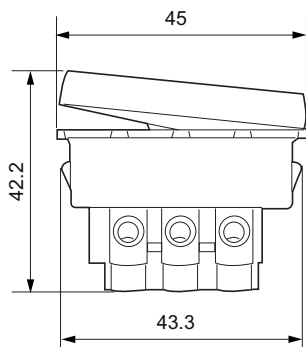
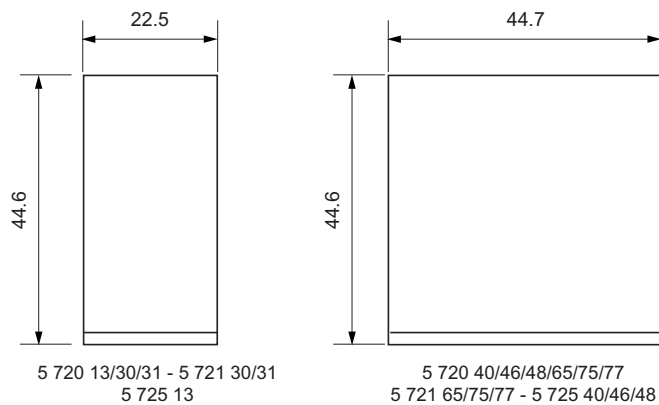
Cat. No(s): 5 720 13/40/46/48 - 5 725 13/40/46/48
5 730 30/31/65/75/77 - 5 731 30/31/65/75/77

3. PREPARATION

The mechanisms can be flush-mounted or surface-mounted



4. OVERALL DIMENSIONS



5. CONNECTION

Terminals: with screws
Capacity and stripping:

	Capacity			Stripping
5 720 13 - 5 730 30/31 5 731 30/31 - 5 735 13	4 x 2.5 mm ²	1 x 4 mm ²	1 x 6 mm ²	8 mm
5 720 40 - 5 725 40 5 730 65 - 5 731 65	2 x 2.5 mm ²	1 x 4 mm ²	-	10 mm
5 720 46/48 5 725 46/48 5 730 75/77 5 731 75/77	4 x 2.5 mm ²	2 x 4 mm ²	1 x 6 mm ²	

Screwdriver: 4 mm flat-blade up to 5.5 mm

6. OPERATION

Switching mechanism.

7. TECHNICAL CHARACTERISTICS

7.1 Mechanical characteristics

Impact tests: IK 04
Protection by solid bodies / liquids: IP 40 (mounted)
IP 20 (alone)

7.2 Material characteristics

Rocker: Polycarbonate
Base: Polycarbonate
Basket: Polypropylene

7.3 Electrical characteristics

Voltage: 250 VAC

Current:	5 720 40 - 5 725 40	6/10 AX
	5 730 65 - 5 731 65	
	Other	20 AX

Self-extinguishing: 650° C / 30 s

7.4 Climatic characteristics

Storage temperature: - 10° C to + 70° C
Operating temperatures: - 5° C to + 50° C

8. CLEANING

Surface cleaning with a cloth
Do not use: acetone, tar remover, trichloroethylene

Resistance to the following cleaning agents: Hexane (EN-60669-1), Methylated spirits, Soapy water, diluted ammonia, diluted pure bleach 10%,

Caution: A preliminary test should be carried out if other specific cleaning products are to be used.

Glass cleaning substance, Pre-impregnated wipes.

Arteor™

Double pole switches

Cat. No(s): 5 720 13/40/46/48 - 5 725 13/40/46/48
5 730 30/31/65/75/77 - 5 731 30/31/65/75/77

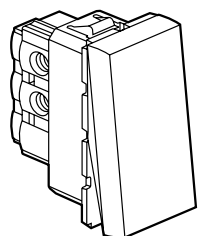
9. CONFORMITY - APPROVALS

Approvals in process:

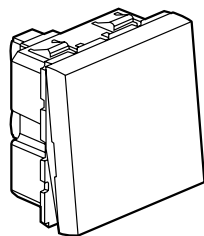
	IECEE	PAI	SABS	PSB	SONCAP	KEN
5 720 13 - 5 725 13	x	x	x	x		
5 720 40 - 5 725 40	x		x	x	x	x
5 720 46 - 5 725 46	x	x	x	x	x	x
5 720 48 - 5 725 48	x	x	x			
5 730 30 - 5 731 30	x	x	x	x		
5 730 31 - 5 731 31	x	x	x	x		
5 730 65 - 5 731 65	x		x	x		
5 730 75 - 5 731 75	x	x	x	x		
5 730 77 - 5 731 77	x	x	x			

Arteor™ Single pole switches

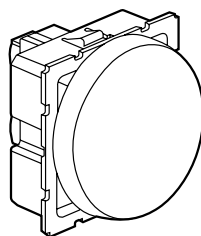
Cat. No(s): 572 009/010/041/509/510/541
573 020/021/022/023/024/025/070
573 120/121/122/123/124/125/170



572 009/509



572 041/541



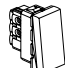

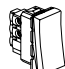

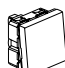
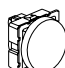
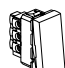

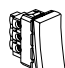

573 070/170

CONTENTS	Page
1. Use.....	1
2. Range.....	1
3. Preparation.....	2
4. Overall dimensions.....	2
5. Connection.....	2
6. Operation.....	2
7. Technical characteristics.....	2
8. Cleaning.....	2
9. Conformity - Approvals.....	3

1. USE

General lighting control mechanisms.

2. RANGE

	Designation	Finishes		No. of modules	Connection method	Weight (g)	Characteristics
		White	Magnesium				
	Single pole switch one way (square)	572 009	572 509	1	with screws	21	20 AX - 250 VAC
	Single pole switch one way (round left)	573 020	573 120	1	with screws	20	20 AX - 250 VAC
	Single pole switch one way (round middle)	573 021	573 121	1	with screws	20.5	20 AX - 250 VAC
	Single pole switch one way (round right)	573 022	573 122	1	with screws	19.9	20 AX - 250 VAC
	Single pole switch one way (square)	572 041	572 541	2	with screws	28.8	20 AX - 250 VAC
	Single pole switch one way (round)	573 070	573 170	2	with screws	27.4	20 AX - 250 VAC
	Single pole switch two way (square)	572 010	572 510	1	with screws	23.5	20 AX - 250 VAC
	Single pole switch two way (round left)	573 023	573 123	1	with screws	22.5	20 AX - 250 VAC
	Single pole switch two way (middle)	573 024	573 124	1	with screws	23.1	20 AX - 250 VAC
	Single pole switch two way (round right)	573 025	573 125	1	with screws	22.5	20 AX - 250 VAC

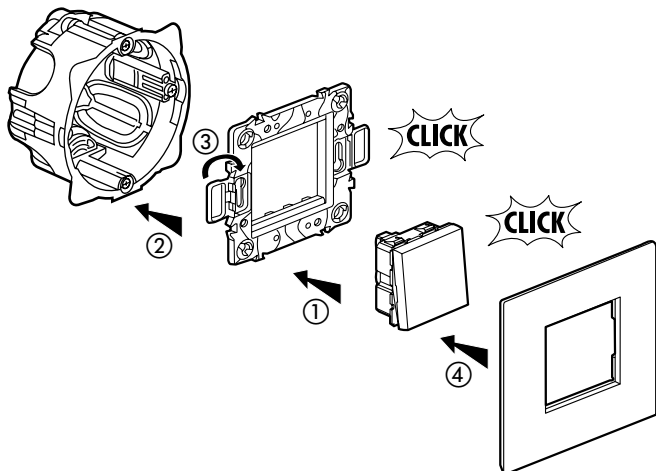
Arteor™

Single pole switches

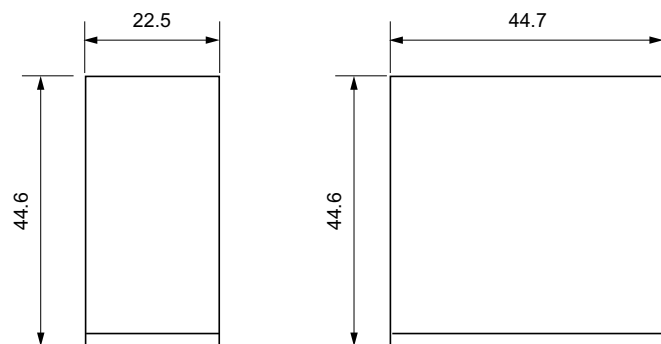
Cat. No(s): 572 009/010/041/509/510/541
573 020/021/022/023/024/025/070
573 120/121/122/123/124/125/170

3. PREPARATION

The mechanisms can be flush-mounted or surface-mounted

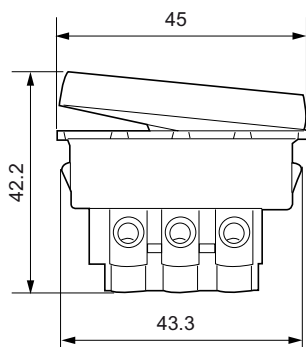


4. OVERALL DIMENSIONS



572 009/010/509/510
573 020/021/022/023/024/025
573 120/121/122/123/124/125

572 041/541
573 070/170



5. CONNECTION

Terminals: with screws
Capacity: 4 x 2.5 mm² or 2 x 4 mm² or 1 x 6 mm²
Stripping: 10 mm
Screwdriver: 4 mm flat-blade up to 5.5 mm

6. OPERATION

Switching mechanism.

7. TECHNICAL CHARACTERISTICS

7.1 Mechanical characteristics

Impact tests: IK 04
Protection by solid bodies / liquids: IP 40 (mounted)
IP 20 (alone)

7.2 Material characteristics

Rocker: Polycarbonate
Base: Polycarbonate
Basket: Polypropylene

7.3 Electrical characteristics

Voltage: 250 VAC
Current: 20 AX
Self-extinguishing: 650° C / 30 s

7.4 Climatic characteristics

Storage temperature: - 10° C to + 70° C
Operating temperatures: - 5° C to + 50° C

8. CLEANING

Surface cleaning with a cloth
Do not use: acetone, tar remover, trichloroethylene

Resistance to the following cleaning agents: Hexane (EN-60669-1), Methylated spirits, Soapy water, diluted ammonia, diluted pure bleach 10%, Glass cleaning substance, Pre-impregnated wipes.

Caution: A preliminary test should be carried out if other specific cleaning products are to be used.

Arteor™

Single pole switches

Cat. No(s): 572 009/010/041/509/510/541
573 020/021/022/023/024/025/070
573 120/121/122/123/124/125/170

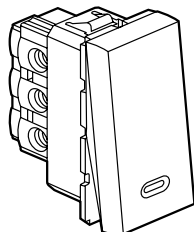
9. CONFORMITY - APPROVALS

Approvals in process:

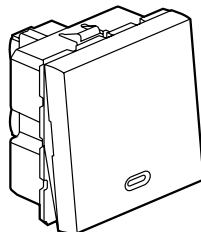
	IECEE	PAI	SABS	PSB	SONCAP	KEN	SASO
572 009 - 572 509	x	x	x	x	x	x	x
572 010 - 572 510	x	x	x	x	x	x	x
572 041 - 572 541	x	x	x	x			x
573 020 - 573 120	x	x	x	x	x	x	x
573021 - 573 121	x	x	x	x	x	x	x
573 022 - 573 122	x	x	x	x	x	x	x
573 023 - 573 123	x	x	x	x	x	x	x
573 024 - 573 124	x	x	x	x	x	x	x
573 025 - 573 125	x	x	x	x	x	x	x
573 070 - 573 170	x	x	x	x			x

Arteor™ Single pole switches with indicator

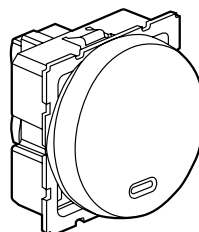
Cat. No(s): 572 011/042/511/542
573 026/027/028/071/126/127/128/171



572 011/511



572 042/542



573 071/171

1. USE

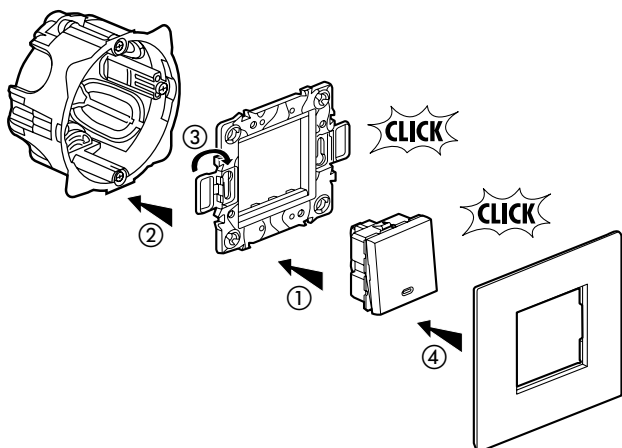
General lighting control mechanisms with signalling elements (indicator light).

2. RANGE

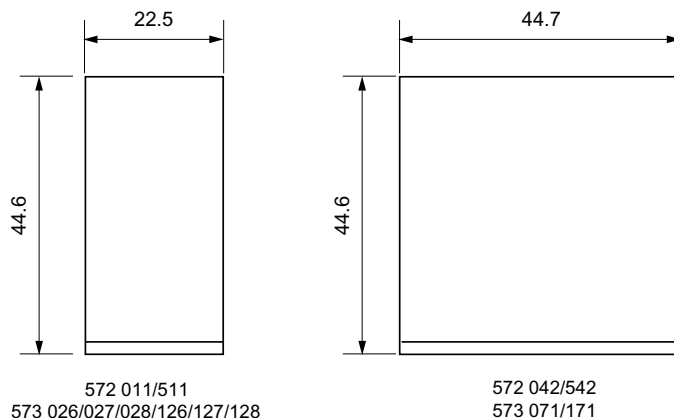
	Designation	Finishes		No. of modules	Connection method	Weight (g)	Characteristics
		White	Magnesium				
	Single pole switch two way with indicator (square)	572 011	572 511	1	with screws	24	20 AX - 250 VAC
	Single pole switch two way with indicator (round left)	573 026	573 126	1	with screws	23	20 AX - 250 VAC
	Single pole switch two way with indicator (round middle)	573 027	573 127	1	with screws	23.5	20 AX - 250 VAC
	Single pole switch two way with indicator (round right)	573 028	573 128	1	with screws	23	20 AX - 250 VAC
	Single pole switch two way with indicator (square)	572 042	572 542	2	with screws	32.2	20 AX - 250 VAC
	Single pole switch two way with indicator (round)	573 071	573 171	2	with screws	30.8	20 AX - 250 VAC

3. PREPARATION

The mechanisms can be flush-mounted or surface-mounted



4. OVERALL DIMENSIONS

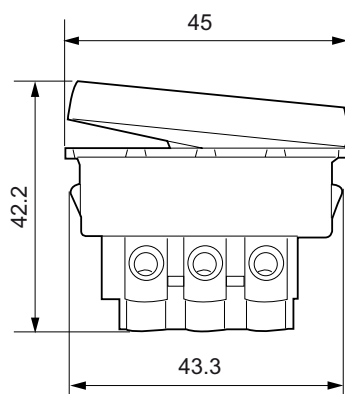


Arteor™

Single pole switches with indicator

Cat. No(s): 572 011/042/511/542
573 026/027/028/071/126/127/128/171

4. OVERALL DIMENSIONS (continued)



5. CONNECTION

Terminals: with screws
Capacity: 4 x 2.5 mm² or 2 x 4 mm² or 1 x 6 mm²
Stripping: 10 mm
Screwdriver: 4 mm flat-blade up to 5.5 mm

6. OPERATION

Switching mechanism.

7. TECHNICAL CHARACTERISTICS

7.1 Mechanical characteristics

Impact tests: IK 04
Protection by solid bodies / liquids: IP 40 (mounted)
IP 20 (alone)

7.2 Material characteristics

Rocker: Polycarbonate
Base: Polycarbonate
Basket: Polypropylene

7.3 Electrical characteristics

Voltage: 250 VAC
Current: 20 AX
Self-extinguishing: 650° C / 30 s.

7.4 Climatic characteristics

Storage temperature: - 10° C to + 70° C
Operating temperatures: - 5° C to + 50° C

8. CLEANING

Surface cleaning with a cloth
Do not use: acetone, tar remover, trichloroethylene

Resistance to the following cleaning agents: Hexane (EN-60669-1), Methylated spirits, Soapy water, diluted ammonia, diluted pure bleach 10%, Glass cleaning substance, Pre-impregnated wipes.

Caution: A preliminary test should be carried out if other specific cleaning products are to be used.

9. CONFORMITY - APPROVALS

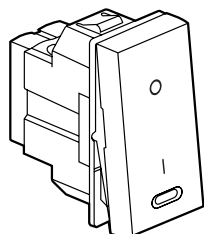
Approvals in process:

	IECEE	SABS	SASO	PAI
572 011 - 572 511	x	x	x	
572 042 - 572 542	x	x	x	x
573 026 - 573 126	x	x	x	
573 027 - 573 127	x	x	x	
573 028 - 573 128	x	x	x	
573 071 - 573 171	x	x	x	x

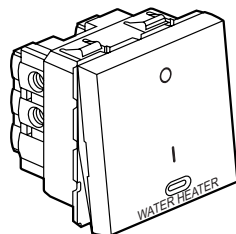
Arteor™ Double pole switches with indicator

Cat. No(s): 572 014/047/049/451/514/547/549
573 032/033/076/078/132/133/176/178

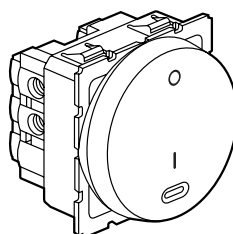
CONTENTS	Page
1. Use.....	1
2. Range.....	1
3. Preparation.....	2
4. Overall dimensions.....	2
5. Connection.....	2
6. Operation.....	2
7. Technical characteristics.....	2
8. Cleaning.....	2
9. Conformity - Approvals.....	3



572 014/514



572 049/549



573 076/176

1. USE

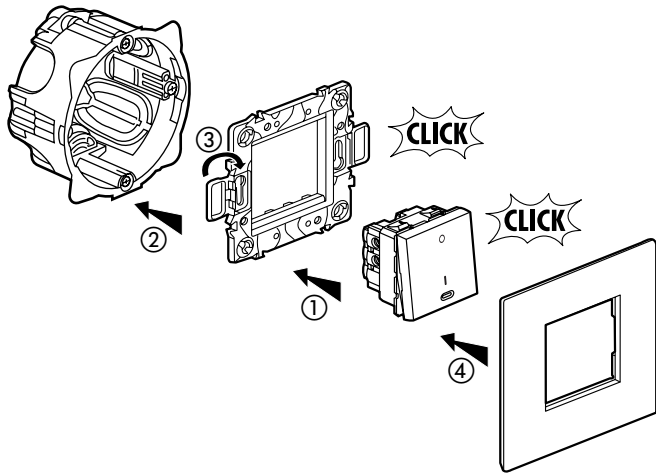
General lighting control mechanisms with signalling elements (indicator light or marking).

2. RANGE

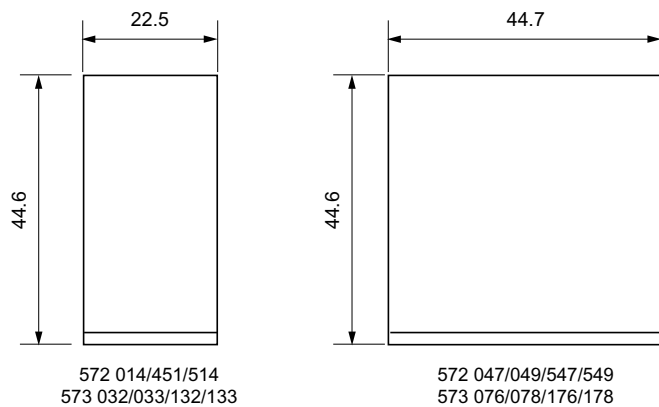
	Designation	Finishes			No. of modules	Connection method	Weight (g)	Characteristics
		White	Magnesium	Red				
	Double pole switch one way with indicator (square)	572 014	572 514		1	with screws	30	20 AX - 250 VAC
	Double pole switch one way with indicator (square)	572 047	572 547		2	with screws	42	20 AX - 250 VAC
	Double pole switch one way with indicator and water heater marking (square)	572 049	572 549		2	with screws	42	20 AX - 250 VAC
	Double pole switch red (square)			572 451	1	with screws	30	20 AX - 250 VAC
	Double pole switch one way with indicator (round left)	573 032	573 132		1	with screws	30	20 AX - 250 VAC
	Double pole switch one way with indicator (round right)	573 033	573 133		1	with screws	30	20 AX - 250 VAC
	Double pole switch one way with indicator (round)	573 076	573 176		2	with screws	41	20 AX - 250 VAC
	Double pole switch one way with indicator and water heater marking (round)	573 078	573 178		2	with screws	41	20 AX - 250 VAC

3. PREPARATION

The mechanisms can be flush-mounted or surface-mounted

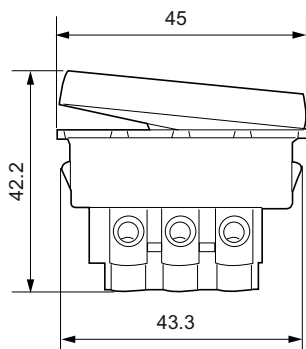


4. OVERALL DIMENSIONS



572 014/451/514
573 032/033/132/133

572 047/049/547/549
573 076/078/176/178



5. CONNECTION

Terminals: with screws
Capacity and stripping:

	Capacity			Stripping
572 014/451/514 573 032/033/132/133	4 x 2.5 mm ²	1 x 4 mm ²	1 x 6 mm ²	8 mm
572 047/049/547/549 573 076/078/176/178	4 x 2.5 mm ²	2 x 4 mm ²	1 x 6 mm ²	10 mm

Screwdriver: 4 mm flat-blade up to 5.5 mm

6. OPERATION

Switching mechanism.

7. TECHNICAL CHARACTERISTICS

7.1 Mechanical characteristics

Impact tests: IK 04
Protection by solid bodies / liquids: IP 40 (mounted)
IP 20 (alone)

7.2 Material characteristics

Rocker: Polycarbonate
Base: Polycarbonate
Basket: Polypropylene

7.3 Electrical characteristics

Voltage: 250 VAC
Current: 20 AX
Self-extinguishing: 650° C / 30 s.
Red light indicator: LED

7.4 Climatic characteristics

Storage temperature: - 10° C to + 70° C
Operating temperatures: - 5° C to + 50° C

8. CLEANING

Caution: A preliminary test should be carried out if other specific cleaning products are to be used.

Surface cleaning with a cloth
Do not use: acetone, tar remover, trichloroethylene

Resistance to the following cleaning agents: Hexane (EN-60669-1), Methylated spirits, Soapy water, diluted ammonia, diluted pure bleach 10%, Glass cleaning substance, Pre-impregnated wipes.

Double pole switches with indicator**9. CONFORMITY - APPROVALS**

Approvals in process:

	IECEE	SABS	SASO	PAI	PSB	SONCAP	KEN
572 014 - 572 514	x	x	x				
572 047 - 572 547	x	x		x	x	x	x
572 049 - 572 549	x	x		x	x	x	x
572 451	x	x		x			
573 032 - 573 132	x	x					
573 033 - 573 133	x	x					
573 076 - 573 176	x	x		x			
573 078 - 573 178	x	x		x	x	x	x