

**1. USE**

The media hub light is used to:

- Watch films from a PC or camcorder on TV: HDMI socket
  - Watch the content of a USB stick on TV: 1 A USB Data socket
  - Charge devices: 2 A USB socket
  - Listen to music on a smartphone, tablet, etc on TV: Bluetooth function
- Inputs: 2 USB chargers including 1 USB Data, HDMI, Bluetooth audio  
 Output: HDMI and USB Data

Specially adapted for remotely locating the connections at the back of the television or monitor when it is mounted on a wall or item of furniture.

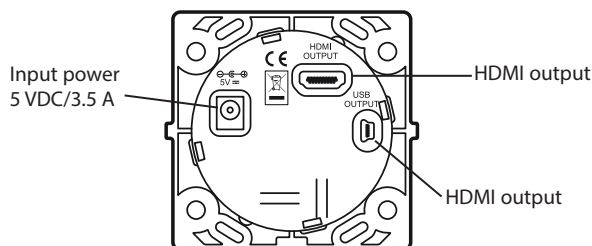
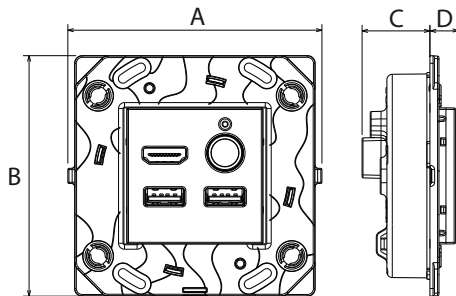
Product to be flush-mounted on a wooden board.

**2. RANGE**

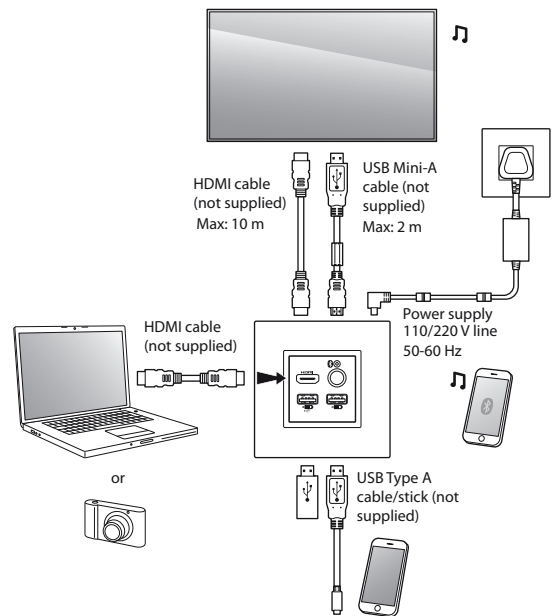
5 722 69	White Arteor BS Media Hub light
5 727 69	Magnesium Arteor BS Média Hub light

**3. DIMENSIONS (mm)**

Cat. Nos	A	B	C	D
5 722 69 - 5 727 69	84	79,5	22,4	9,45



**4. CONNECTION**



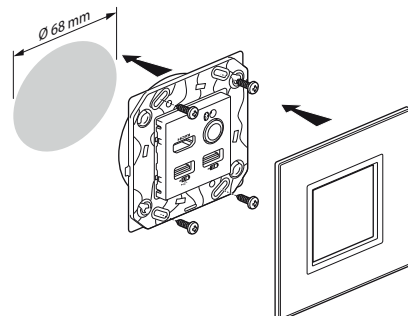
**5. MOUNTING**

To be flush-mounted on a board with a cut-out made by a hole saw, diameter 68 mm.

Flush-mounting depth:

- without right-angled HDMI adaptor min: 85 mm
- with right-angled HDMI adaptor min: 40 mm
- USB: 55 mm

Depending on which USB and HDMI cables are used, the minimum flush-mounting depth can be increased in order to ensure the correct bend radii.



**6. TECHNICAL CHARACTERISTICS**

**6.1 Electrical characteristics**

Mains input	110 V-220 V
Power consumption in active mode	18.5 W maximum
Power consumption in sleep mode	0.2 W maximum
Bluetooth version 3 (supports A2DP Audio Profile)	10 m
USB charger socket	2 x 1.5 A
HDMI version 1.3a	10 m
CEC-compatible	One-touch play

**6.2 Mechanical characteristics**

**Front**

- 1 HDMI version 1.3 input connector
- 1 USB 2.0 - 1.5 A input connector for recharging and Data connection with TV
- 1 USB 1.5 A dedicated charging connector
- 1 push-button for HDMI and Bluetooth selection
- 1 Bluetooth activation LED

**Rear**

- 1 HDMI type socket for TV connection
- 1 mini-USB type socket for TV connection
- 1 x 5 V - 3.5 A power supply socket

**6.3 Compatibility:**

- HDMI HDCP
- Bluetooth AD2P audio
- CEC

Supplied with external 90-230 V/5 V power supply.  
Not supplied with HDMI and USB cables to connect the product to the television.

The HDMI cable to be supplied should be a maximum of 10 m long.

0 517 32	1 m
0 517 33	2 m
0 517 34	3 m
0 517 27	5 m
0 517 20	10 m

The USB cable to be supplied should be the following type: mini-A USB plug/type-A USB plug - Maximum length 2 m (without using a booster).

Right-angled HDMI adaptor Cat. No. 0 517 37 can be used for ease of connecting at the rear.

**6.4 Climate characteristics**

Operating temperature: +5°C to +45°C

**7. COMPLIANCE - APPROVALS**

**CEC-compatible**

If your TV set is CEC-compatible, it can be controlled by the Media Hub. If you connect an HDMI device or press the button, the Media Hub can switch on the TV automatically.

Refer to the TV manual to find out how to enable/disable the CEC function.

If your TV set is not CEC-compatible, use the remote control to select the HDMI input.

Depending on the set manufacturer, HDMI CEC has different trade names:

- Samsung: AnyNet
- LG: Simplink
- Sony: Bravia Link
- Etc

**SIMPLIFIED EU DECLARATION OF CONFORMITY**

Hereby  
**Legrand**

declare that the radio equipment type

**5 722 69**

is in compliance with Directive 2014/53/EU.  
The full text of the UE declaration of conformity is available at the following internet address :

[www.legrand.com](http://www.legrand.com)

**SIMPLIFIED EU DECLARATION OF CONFORMITY**

Hereby  
**Legrand**

declare that the radio equipment type

**5 727 69**

is in compliance with Directive 2014/53/EU.  
The full text of the UE declaration of conformity is available at the following internet address :

[www.legrand.com](http://www.legrand.com)

CAT. N° 5 722 30



## KEY CARD SWITCH ARTEOR 230 V - 2 MODULES - WHITE

Pack (number of units)	1
Volume (dm <sup>3</sup> )	0,677
Weight (g)	75,00

### Product characteristics

#### Mechanical key card switches

- For energizing a circuit by inserting a key fob Cat.No 5 722 59 or a smart card (access card for a hotel room)
- Example of use: hotel room power supply only when guest is present
- Time-delay of approx. 30 sec. after card removal
- To be equipped with single pole latching relay Cat.Nos 5 722 27 or 5 727 27
- 2 modules

#### Key card switches 230 V

- White

### General characteristics

#### Hotel equipment - Arteor wiring devices

- Mechanisms supplied with rocker plates, to be equipped with support frames and plates

### Documentation



#### Catalogue pages & additional information

- [Description page \(p.439\)](#)



#### Installation instructions & related documents

- [LE04027AD](#)

CAT. N° 5 727 30

**KEY FOB SWITCH ARTEOR 230 V - 2 MODULES -  
MAGNESIUM**

Pack (number of units)	1
Volume (dm <sup>3</sup> )	0,677
Weight (g)	74,00

**Product characteristics****Mechanical key card switches**

- For energizing a circuit by inserting a key fob Cat.No 5 722 59 or a smart card (access card for a hotel room)
- Example of use: hotel room power supply only when guest is present
- Time-delay of approx. 30 sec. after card removal
- To be equipped with single pole latching relay Cat.Nos 5 722 27 or 5 727 27
- 2 modules

**Key card switches 230 V**

- Magnesium

**General characteristics****Hotel equipment - Arteor wiring devices**

- Mechanisms supplied with rocker plates, to be equipped with support frames and plates

**Documentation****Catalogue pages & additional information**

- [Description page \(p.439\)](#)

**Installation instructions & related documents**

- [LE04027AD](#)

CAT. N° 5 700 55



## MECHANICAL KEY CARD SWITCH 230 V ARTEOR - 2 MODULES - CHAMPAGNE

Pack (number of units)	1
Volume (dm <sup>3</sup> )	0,677
Weight (g)	80,00

### Product characteristics

#### Mechanical key card switches

- For energizing a circuit by inserting a key fob Cat.No 5 722 59 or a smart card (access card for a hotel room)
- Example of use: hotel room power supply only when guest is present
- Time-delay of approx. 30 sec. after card removal
- To be equipped with single pole latching relay Cat.Nos 5 722 27 or 5 727 27
- 2 modules

#### Key card switches 230 V

- Champagne

### General characteristics

#### Hotel equipment - Arteor wiring devices

- Mechanisms supplied with rocker plates, to be equipped with support frames and plates

### Documentation



#### Catalogue pages & additional information

- [Description page \(p.439\)](#)



#### Installation instructions & related documents

- [LE04027AD](#)

CAT. N° 5 710 55



## MECHANICAL KEY CARD SWITCH 230 V ARTEOR - 2 MODULES - ALU

Pack (number of units)	1
Volume (dm <sup>3</sup> )	0,677
Weight (g)	80,00

### Product characteristics

#### Mechanical key card switches

- For energizing a circuit by inserting a key fob Cat.No 5 722 59 or a smart card (access card for a hotel room)
- Example of use: hotel room power supply only when guest is present
- Time-delay of approx. 30 sec. after card removal
- To be equipped with single pole latching relay Cat.Nos 5 722 27 or 5 727 27
- 2 modules

#### Key card switches 230 V

- Alu

### General characteristics

#### Hotel equipment - Arteor wiring devices

- Mechanisms supplied with rocker plates, to be equipped with support frames and plates

### Documentation



#### Catalogue pages & additional information

- [Description page \(p.439\)](#)

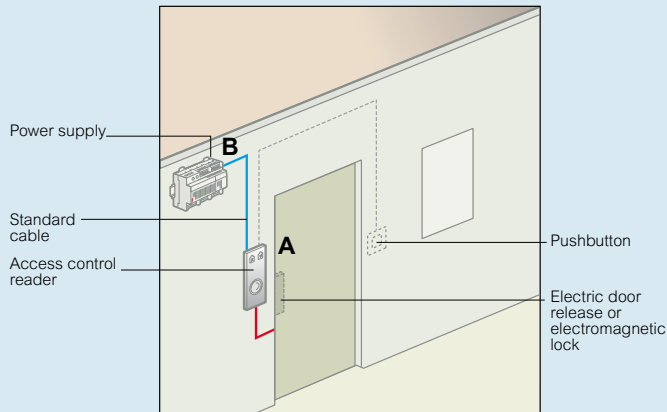


#### Installation instructions & related documents

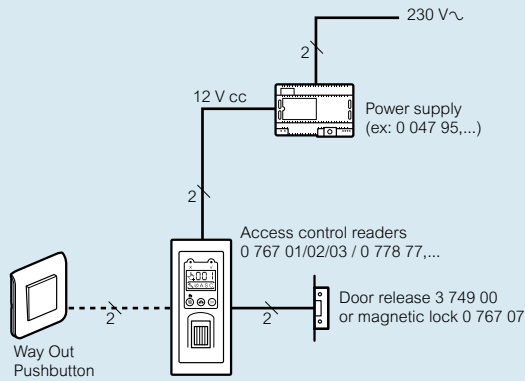
- [LE04027AD](#)

## access control stand-alone

### ■ Installation principle in stand-alone mode



### ■ Wiring principle



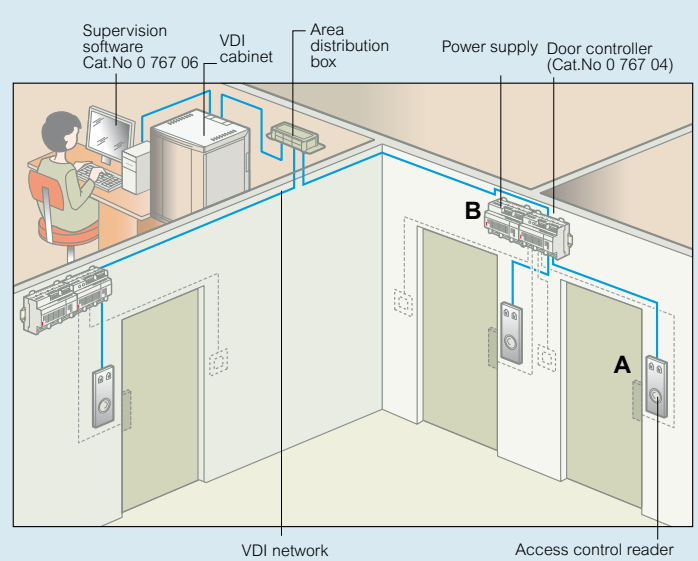
### ■ Selection guide

		Risk level	Door opening to:	
			Inside	Outside
A	Readers	Coded keypad	0 767 00 /01 5 722 52/5 727 52	0 778 76/78
		Badge reader	0 767 02 5 722 51/5 727 51	0 778 72/77
		Fingerprint reader	0 767 03 5 722 50/5 727 50	tailor made 0 767 30
Closing accessories	Door release (flush mounting)		0 408 95 /96/98	
	Lock (surface-mounting)		0 767 07 /08/09	
B	Power supply		4 131 05 <sup>(1)</sup> 0 047 92 <sup>(1)</sup>	0 767 18 + 0 407 49 <sup>(1)</sup>

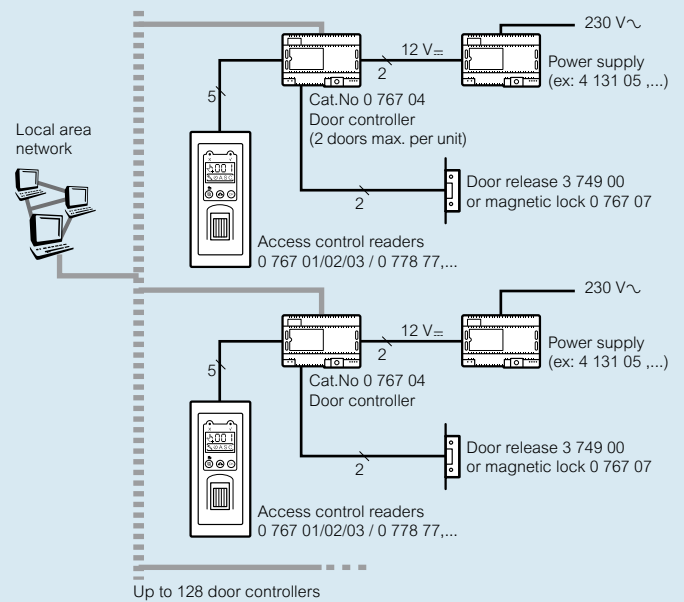
1: The choice of the type of power supply, with or without battery, determines whether the door will open when there is a mains failure

## access control centralised

### ■ Installation principle in centralised mode



### ■ Wiring principle

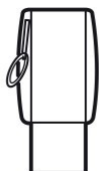


### ■ Selection guide

		Risk level	Door opening to:	
			Inside	Outside
A	Readers	Coded keypad	0 767 01 5 722 52/5 757 52	0 767 17 0 778 73
		Badge reader	0 767 02 5 722 51/5 727 51	0 767 16/32 0 778 77
		Fingerprint reader	0 767 03 5 722 50/5 727 50	tailor made 0 767 30/31
Closing accessories	Door release (flush mounting)		0 408 95 /96/98	
	Lock (surface-mounting)		0 767 07 /08/09	
B	Power supply		4 131 05 <sup>(1)</sup> 0 047 92 <sup>(1)</sup>	0 767 18 + 0 407 49 <sup>(1)</sup>

1: The choice of the type of power supply, with or without battery, determines whether the door will open when there is a mains failure

CAT. N° 5 722 59

**KEY FOB ARTEOR FOR SWITCHES 5722 30/31, 5727 30  
AND 573493**

Pack (number of units)	10
Volume (dm <sup>3</sup> )	1,189
Weight (g)	470,00

**Product characteristics****Key card switches****For mechanical key card switches**

- Enable use of key fob switches in hotels with key locks
- Supplied complete with a label holder for individual hotel identification
- White

**General characteristics****Hotel equipment - Arteor wiring devices**

- Mechanisms supplied with rocker plates, to be equipped with support frames and plates

**Documentation****Catalogue pages & additional information**

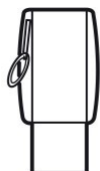
- [Description page \(p.439\)](#)

**Agreements & certificates of conformity**

- [OC / CB - 583005/A1](#)



CAT. N° 5 727 59

**KEY FOB ARTEOR FOR SWITCHES 5 722 30/31/53, 5 727 30/53 AND 5 734 93 - MAGNESIUM**

Pack (number of units)	10
Volume (dm <sup>3</sup> )	1,189
Weight (g)	472,00

**Product characteristics****Key card switches****For mechanical key card switches**

- Enable use of key fob switches in hotels with key locks
- Supplied complete with a label holder for individual hotel identification
- Magnesium

**General characteristics****Hotel equipment - Arteor wiring devices**

- Mechanisms supplied with rocker plates, to be equipped with support frames and plates

**Documentation****Catalogue pages & additional information**

- [Description page \(p.439\)](#)

CAT. N° 0 767 11



## ISO CARD FOR CARD READER - CONTACTLESS

Pack (number of units)	10
Volume (dm <sup>3</sup> )	0,294
Weight (g)	70,00

### Product characteristics

#### Soliroc external badge readers

- Surface-mounting, cable outlet
- 500 user badges in stand-alone mode
- 1 self-protection contact (pull-out + opening)
- 1 pushbutton input for internal unlocking
- 1 relay output for door release or electromagnetic lock
- Power supply 12/24 V~/DC
- MIFARE contactless badge card
- ISO format (50 x 80 mm)
- Chip: 13.56 MHz
- Standard 1 KB memory

### General characteristics

#### Access control stand-alone keypads and badge readers

- All readers have indicators and a buzzer to indicate the door status

### Documentation

#### Catalogue pages & additional information

- [Description page \(p.375\)](#)
- [Technical page \(p.378-379\)](#)
- [Description page \(p.439\)](#)
- [Description page \(p.694\)](#)

### ELIOT PROGRAMME



Eliot Programme by Legrand for connected objects

CAT. N° 5 721 53



## SHAVER SOCKET ARTEOR 230 V / 120-230 V WITH EARTH CONNECTOR - 3 MODULES -WHITE

Pack (number of units)	1
Volume (dm <sup>3</sup> )	1,756
Weight (g)	699,00

### Product characteristics

#### Shaver sockets

- Conform to BS EN 61558-2-5. IP 24
- For use with European, British, American, Australian 2-pin plugs
- Screwless live and neutral terminals
- Double wound isolating transformer
- Automatic self-resetting overload feature
- Plug insertion operates micro-switch which energises transformer
- To be equipped with BS 2 gang - 3-module plates
- For flush-mounting boxes, use BS 2 gang box depth 48 mm, US type, Italian type boxes depth 48 mm or Cat.No 0 801 55
- Power supply: 230 V - 50/60 Hz

#### 230 V / 120-230 V

- White - with earth connector

### General characteristics

#### Hotel equipment - Arteor wiring devices

- Mechanisms supplied with rocker plates, to be equipped with support frames and plates

### Documentation

#### Catalogue pages & additional information

- [Description page \(p.439\)](#)

#### Agreements & certificates of conformity

- [OC / CB - FR\\_706217](#)

#### Installation & technical data

- [F01852EN-01](#)

CAT. N° 5 726 53



## SHAVER SOCKET ARTEOR 230 V / 120-230 V WITH EARTH CONNECTOR - 3 MODULES- MAGNESIUM

Pack (number of units)	1
Volume (dm <sup>3</sup> )	1,756
Weight (g)	707,00

### Product characteristics

#### Shaver sockets

- Conform to BS EN 61558-2-5. IP 24
- For use with European, British, American, Australian 2-pin plugs
- Screwless live and neutral terminals
- Double wound isolating transformer
- Automatic self-resetting overload feature
- Plug insertion operates micro-switch which energises transformer
- To be equipped with BS 2 gang - 3-module plates
- For flush-mounting boxes, use BS 2 gang box depth 48 mm, US type, Italian type boxes depth 48 mm or Cat.No 0 801 55
- Power supply: 230 V - 50/60 Hz

#### 230 V / 120-230 V

- Magnesium - with earth connector

### General characteristics

#### Hotel equipment - Arteor wiring devices

- Mechanisms supplied with rocker plates, to be equipped with support frames and plates

### Documentation

#### Catalogue pages & additional information

- [Description page \(p.439\)](#)

#### Agreements & certificates of conformity

- [OC / CB - FR\\_706217](#)

#### Installation & technical data

- [F01852EN-01](#)