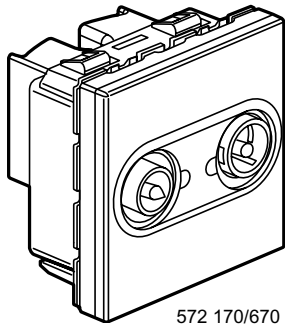
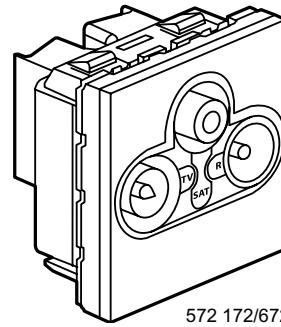


Arteor™ TV-R / TV-R-SAT socket outlets

Cat. No(s): 572 170/172 - 572 670/672



572 170/670



572 172/672

1. USE

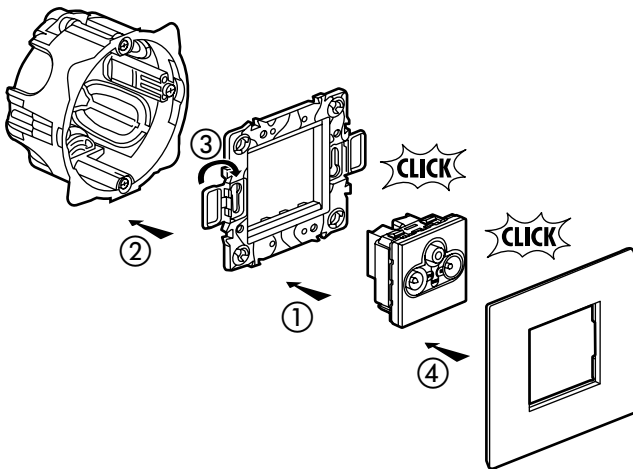
TV-R and TV-R-SAT television sockets for individual or collective installation with reception via:
- radio relay antenna
- parabolic antenna with individual demodulator

2. RANGE

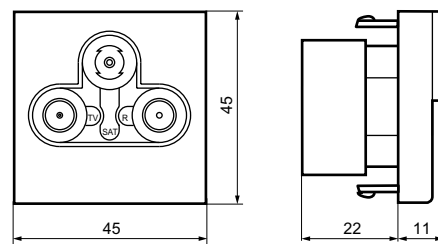
	Designation	Finishes		No. of modules	Weight (g)
		White	Magnesium		
	TV-R socket	572 170	572 670	2	64.8
	TV-R-SAT socket	572 172	572 672	2	67

3. PREPARATION

The mechanisms can be flush-mounted or surface-mounted.

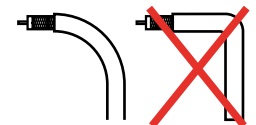
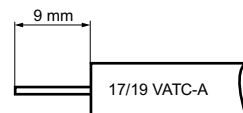


4. OVERALL DIMENSIONS



5. CABLING PRECAUTIONS

Stripping length:



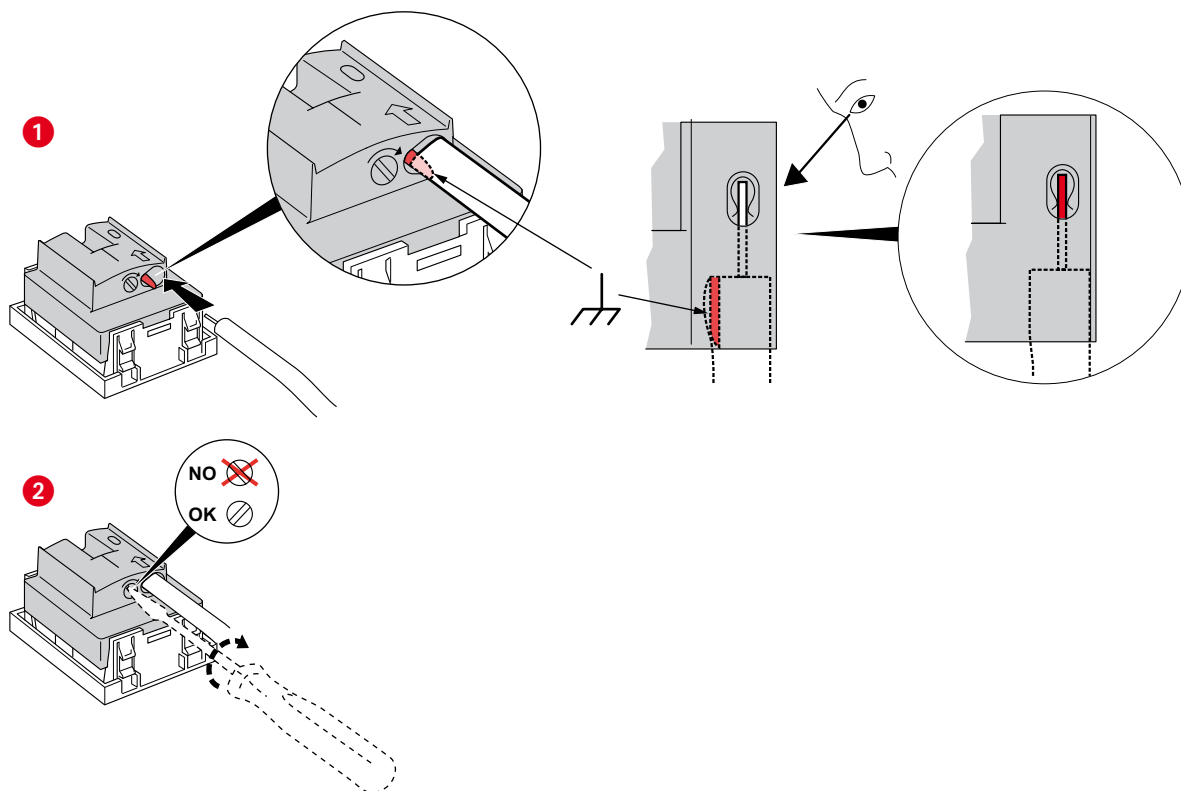
Max. incoming cable Ø on input 7 mm

Caution:
Make sure the coaxial cable has the largest possible bend radius to prevent impedance breakage and a resulting deterioration in performance due to deformation of this coaxial cable.
A signal amplifier must be used with passage and terminal sockets to compensate for attenuations generated by this technique.

Arteor™ TV-R / TV-R-SAT socket outlets

Cat. No(s): 572 170/172 - 572 670/672

6. CONNECTION



7. TECHNICAL CHARACTERISTICS

7.1 Mechanical characteristics

Impact tests: IK 03

7.2 Material characteristics

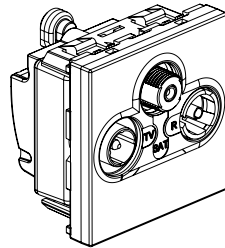
Cover plates: ABS

8. PERFORMANCES

	Coax	Attenuation 862 MHz (insertion)		Control	Band 1	FM	VHF	UHF	BIS (sat.)
	Ø 9.5 mm Z = 75 Ω	Attenuation		500 mA	Channel	Channel	Channel	Channel	Channel
			—	DISEqC®	47 - 68	87.5 - 108	120 - 470	470 - 862	950 - 2400
		dB	mA	Khz/V	Mhz	Mhz	Mhz	Mhz	Mhz
572 172 572 672		$i \leq 1.5$ dB	yes	DISEqC®	1.5 dB		1.5 dB		
						1.5 dB			
572 170 572 670		$i \leq 1.5$ dB	yes	DISEqC®	1.5 dB		1.5 dB		
						1.5 dB			

Arteor™
TV/R/SAT sockets

Cat. Nos : 5 721 72 / 5 726 72



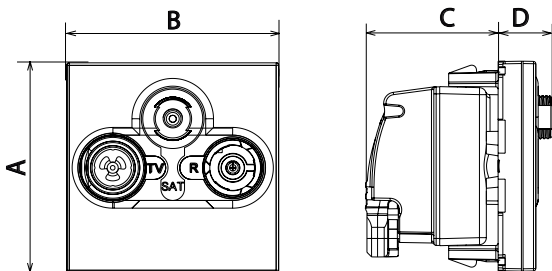
1. USE

TV/R/SAT: For receiving TV, radio and satellite signals
 UHD (ultra high definition) compatible
 Class A shielding - Star wiring
 Low attenuation < 1.5 dB
 Recommended cable 17/19 VATC
 Single cable entry

2. RANGE

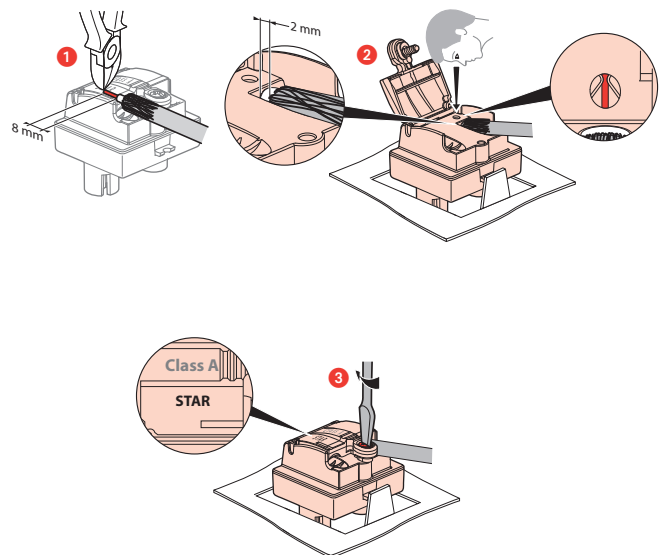
Cat. Nos	Item	No. of modules
5 721 72	TV/R/SAT socket white	2
5 726 72	TV/R/SAT socket magnesium	2

3. DIMENSIONS (mm)

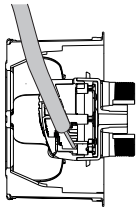
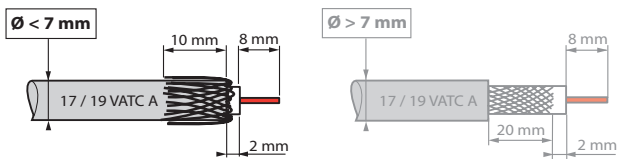


Cat. Nos	A	B	C	D
572172 - 572672	45	45	28,1	11,5

4. CONNECTION



5. WIRING PRECAUTIONS



Connection from the rear of the socket reduces deformation of the coaxial cable, thus avoiding the risk of impedance loss and impaired performance.

6. TECHNICAL CHARACTERISTICS

■ 6.1 Mechanical characteristics

Protection against solid bodies and liquids: IP 21
Protection against impact: IK 04
Cable strength 120 N: IEC 61169-24

■ 6.2 Material characteristics

Material: - Cover plate: ABS
- Zero halogen
- UV resistant
Motor: - Casing: Zamac
- Cover: Zamac
- Pin: Bronze
- Screws: Zinc-plated steel

■ 6.3 Electrical characteristics

- Male connector \varnothing 9.52 mm (TV)
- Female connector (radio)
- Female F screw-type connector (SAT)
- Characteristic impedance: 75 ohm

Class A shielding efficiency (class A shielding is necessary to prevent interference from 3G and 4G phone signals, as these undesirable signals can cause pixellation of on-screen images or distort soundtracks)

- Frequency bands: TV: 5-68/120-862 MHz
R: 87.5-108 MHz
SAT: 950-2400 MHz

- Insulation resistance: IEC 61169-24

■ 6.4 Climate characteristics

Storage and operating temperature: -5 °C to +35 °C

7. CLEANING

Clean the surface with a cloth.

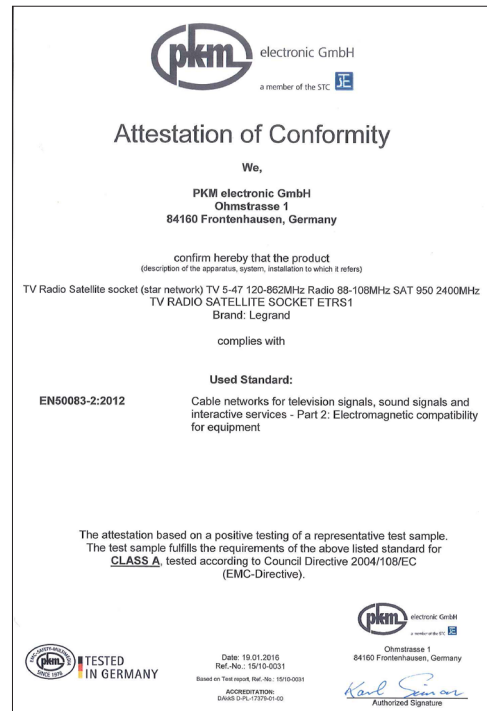
Do not use acetone, tar-removing cleaning agents or trichloroethylene.

Resistant to the following products: hexane (EN 60669-1), methylated spirit, soapy water, diluted ammonia, bleach diluted to 10%, window-cleaning products, pre-impregnated wipes.

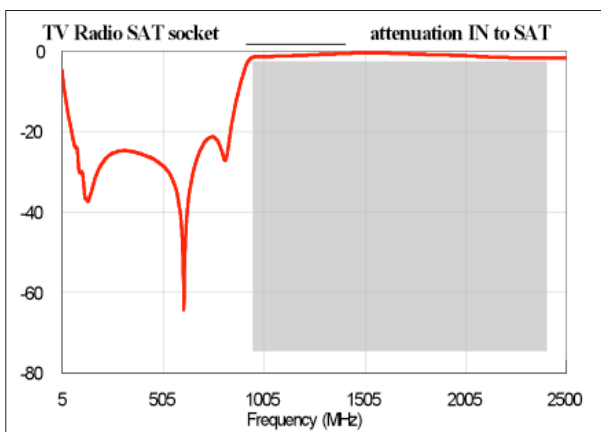
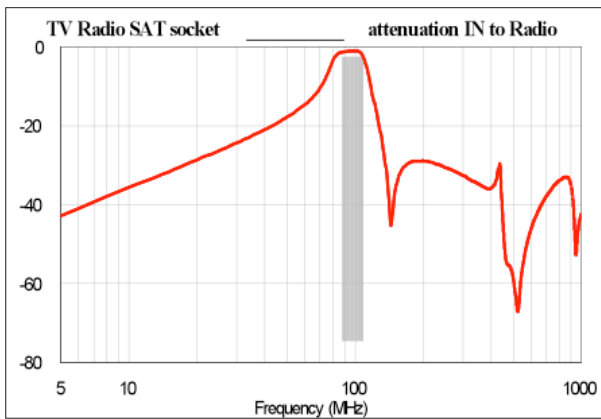
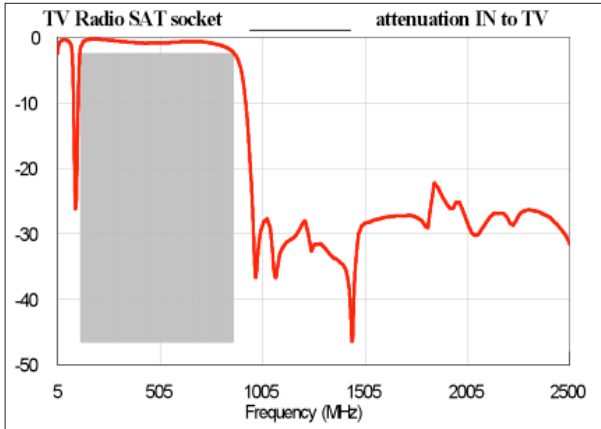
Caution: Always test before using special cleaning products.

8. STANDARDS AND APPROVALS

- EN 50083-2
- Class A certificate



9. PERFORMANCE



CAT. N° 5 721 69



TV SOCKET ARTEOR - TV-R-SAT-SAT SHIELDED - 0-2400 HZ - 2 MODULES - WHITE

Pack (number of units)	10
Volume (dm ³)	2,283
Weight (g)	844,00

Product characteristics

Multi TV star sockets

- 2 modules

TV-R-SAT-SAT sockets

- In1: TV-R-SAT1 / In2: SAT2
- Low attenuation: 1.5 dB
- White
- Can be installed in receptacles for floor sockets

General characteristics

Arteor™ television sockets

- Mechanisms supplied with rocker plates, to be equipped with support frames and plates
- For Dvbt, Cablecast and satellite installation
- UHD TV quality compatible
- Classe A shielded star socket LTE ready (4G protected)
- Recommended coaxial cable: 17 VATCA
- Star cabling (1 socket = 1 cable to antenna, splitter or multiswitch). Visual check of the connection
- Meets EN 50083-4 and EN 50083-2 European directive
- TV: male connector (Ø9.5 mm) - 5-68 /120-862 MHz
- R: female connector (Ø9.5 mm) - 87.5-108 MHz
- SAT: "F" type connector - 950-2400MHz

Documentation

Catalogue pages & additional information

- [Selection chart \(p.451\)](#)
- [Description page \(p.467\)](#)

CAT. N° 5 726 69



TV SOCKET ARTEOR - TV-R-SAT-SAT SHIELDED - 0-2400 HZ - 2 MODULES - MAGNESIUM

Pack (number of units)	10
Volume (dm ³)	2,283
Weight (g)	846,00

Product characteristics

Multi TV star sockets

- 2 modules

TV-R-SAT-SAT sockets

- In1: TV-R-SAT1 / In2: SAT2
- Low attenuation: 1.5 dB
- Magnesium
- Can be installed in receptacles for floor sockets

General characteristics

Arteor™ television sockets

- Mechanisms supplied with rocker plates, to be equipped with support frames and plates
- For Dvbt, Cablecast and satellite installation
- UHD TV quality compatible
- Classe A shielded star socket LTE ready (4G protected)
- Recommended coaxial cable: 17 VATCA
- Star cabling (1 socket = 1 cable to antenna, splitter or multiswitch). Visual check of the connection
- Meets EN 50083-4 and EN 50083-2 European directive
- TV: male connector (Ø9.5 mm) - 5-68 /120-862 MHz
- R: female connector (Ø9.5 mm) - 87.5-108 MHz
- SAT: "F" type connector - 950-2400MHz

Documentation

Catalogue pages & additional information

- [Selection chart \(p.451\)](#)
- [Description page \(p.467\)](#)

CAT. N° 5 726 93

**TV SOCKET ARTEOR - TV-R-SAT-SAT SHIELDED - 0-2400 HZ - 2 MODULES - CHAMPAGNE**

Pack (number of units)	O/R
Volume (dm ³)	O/R
Weight (g)	O/R

Product characteristics**Multi TV star sockets**

- 2 modules

TV-R-SAT-SAT sockets

- In1: TV-R-SAT1 / In2: SAT2
- Low attenuation: 1.5 dB
- Can be installed in receptacles for floor sockets
- Champagne

General characteristics**Arteor™ television sockets**

- Mechanisms supplied with rocker plates, to be equipped with support frames and plates
- For Dvbt, Cablecast and satellite installation
- UHD TV quality compatible
- Classe A shielded star socket LTE ready (4G protected)
- Recommended coaxial cable: 17 VATCA
- Star cabling (1 socket = 1 cable to antenna, splitter or multiswitch). Visual check of the connection
- Meets EN 50083-4 and EN 50083-2 European directive
- TV: male connector (Ø9.5 mm) - 5-68 /120-862 MHz
- R: female connector (Ø9.5 mm) - 87.5-108 MHz
- SAT: "F" type connector - 950-2400MHz

Documentation

CAT. N° 5 726 92


TV SOCKET ARTEOR - TV-R-SAT-SAT SHIELDED - 0-2400 HZ - 2 MODULES - SOFT ALU

Pack (number of units)	O/R
Volume (dm ³)	O/R
Weight (g)	O/R

Product characteristics
Multi TV star sockets

- 2 modules

TV-R-SAT-SAT sockets

- In1: TV-R-SAT1 / In2: SAT2
- Low attenuation: 1.5 dB
- Can be installed in receptacles for floor sockets
- Soft Alu

General characteristics
Arteor™ television sockets

- Mechanisms supplied with rocker plates, to be equipped with support frames and plates
- For Dvbt, Cablecast and satellite installation
- UHD TV quality compatible
- Classe A shielded star socket LTE ready (4G protected)
- Recommended coaxial cable: 17 VATCA
- Star cabling (1 socket = 1 cable to antenna, splitter or multiswitch). Visual check of the connection
- Meets EN 50083-4 and EN 50083-2 European directive
- TV: male connector (Ø9.5 mm) - 5-68 /120-862 MHz
- R: female connector (Ø9.5 mm) - 87.5-108 MHz
- SAT: "F" type connector - 950-2400MHz

Documentation

CAT. N° 5 721 67



TV SOCKET ARTEOR - TV-SAT SHIELDED - 0-2400 HZ - 1 MODULE - WHITE

Pack (number of units)	10
Volume (dm ³)	2,188
Weight (g)	472,00

Product characteristics

Multi TV star sockets

- 2 modules

TV-SAT sockets

- 1 module
- White

General characteristics

Arteor™ television sockets

- Mechanisms supplied with rocker plates, to be equipped with support frames and plates
- For Dvbt, Cablecast and satellite installation
- UHD TV quality compatible
- Classe A shielded star socket LTE ready (4G protected)
- Recommended coaxial cable: 17 VATCA
- Star cabling (1 socket = 1 cable to antenna, splitter or multiswitch). Visual check of the connection
- Meets EN 50083-4 and EN 50083-2 European directive
- TV: male connector (Ø9.5 mm) - 5-68 /120-862 MHz
- R: female connector (Ø9.5 mm) - 87.5-108 MHz
- SAT: "F" type connector - 950-2400MHz

Documentation



Catalogue pages & additional information

- [Description page \(p.467\)](#)

CAT. N° 5 726 67

**TV SOCKET ARTEOR - TV-SAT SHIELDED - 0-2400 HZ - 1
MODULE - MAGNESIUM**

Pack (number of units)	10
Volume (dm ³)	2,188
Weight (g)	470,00

Product characteristics**Multi TV star sockets**

- 2 modules

TV-SAT sockets

- 1 module
- Magnesium

General characteristics**Arteor™ television sockets**

- Mechanisms supplied with rocker plates, to be equipped with support frames and plates
- For Dvbt, Cablecast and satellite installation
- UHD TV quality compatible
- Classe A shielded star socket LTE ready (4G protected)
- Recommended coaxial cable: 17 VATCA
- Star cabling (1 socket = 1 cable to antenna, splitter or multiswitch). Visual check of the connection
- Meets EN 50083-4 and EN 50083-2 European directive
- TV: male connector (Ø9.5 mm) - 5-68 /120-862 MHz
- R: female connector (Ø9.5 mm) - 87.5-108 MHz
- SAT: "F" type connector - 950-2400MHz

Documentation**Catalogue pages & additional information**

- [Description page \(p.467\)](#)

CAT. N° 5 726 95

**TV SOCKET ARTEOR - TV-SAT SHIELDED - 0-2400 HZ - 1
MODULE - CHAMPAGNE**

Pack (number of units)	O/R
Volume (dm ³)	O/R
Weight (g)	O/R

Product characteristics**Multi TV star sockets**

- 2 modules

TV-SAT sockets

- 1 module
- Champagne

General characteristics**Arteor™ television sockets**

- Mechanisms supplied with rocker plates, to be equipped with support frames and plates
- For Dvbt, Cablecast and satellite installation
- UHD TV quality compatible
- Classe A shielded star socket LTE ready (4G protected)
- Recommended coaxial cable: 17 VATCA
- Star cabling (1 socket = 1 cable to antenna, splitter or multiswitch). Visual check of the connection
- Meets EN 50083-4 and EN 50083-2 European directive
- TV: male connector (Ø9.5 mm) - 5-68 /120-862 MHz
- R: female connector (Ø9.5 mm) - 87.5-108 MHz
- SAT: "F" type connector - 950-2400MHz

Documentation

CAT. N° 5 726 94

**TV SOCKET ARTEOR - TV-SAT SHIELDED - 0-2400 HZ - 1
MODULE - SOFT ALU**

Pack (number of units)	O/R
Volume (dm ³)	O/R
Weight (g)	O/R

Product characteristics**Multi TV star sockets**

- 2 modules

TV-SAT sockets

- 1 module
- Soft Alu

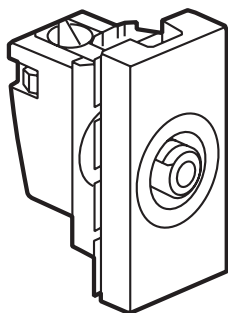
General characteristics**Arteor™ television sockets**

- Mechanisms supplied with rocker plates, to be equipped with support frames and plates
- For Dvbt, Cablecast and satellite installation
- UHD TV quality compatible
- Classe A shielded star socket LTE ready (4G protected)
- Recommended coaxial cable: 17 VATCA
- Star cabling (1 socket = 1 cable to antenna, splitter or multiswitch). Visual check of the connection
- Meets EN 50083-4 and EN 50083-2 European directive
- TV: male connector (Ø9.5 mm) - 5-68 /120-862 MHz
- R: female connector (Ø9.5 mm) - 87.5-108 MHz
- SAT: "F" type connector - 950-2400MHz

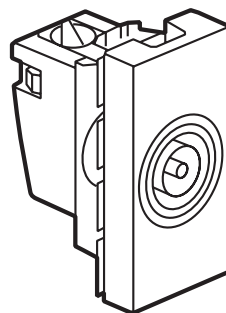
Documentation

Arteor™ Single TV socket outlets

Cat. No(s).: 572 171/163/671/663



572 163/663



572 171/671

1. USE

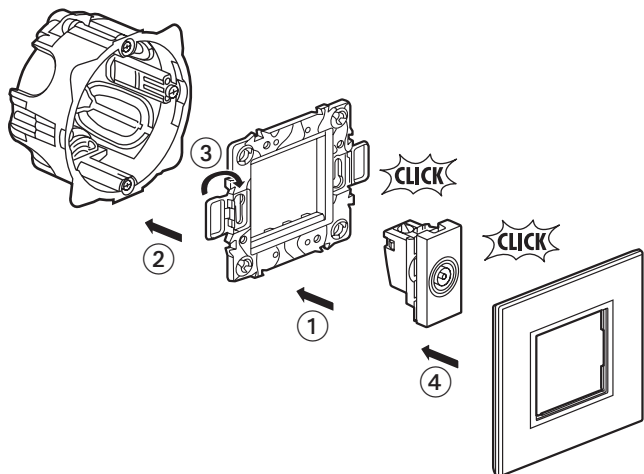
TV socket for individual or collective installation

2. RANGE

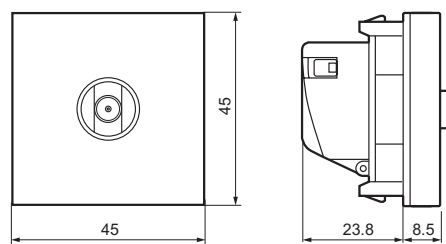
	Designation	Finishes.		No. of modules	Weight (g)
		White	Magnesium		
	Single TV socket "F" type	572 163	572 663	1	46
	Single TV socket male Ø 9.52	572 171	572 671	1	45.7

3. PREPARATION

The mechanisms can be flush-mounted or surface-mounted

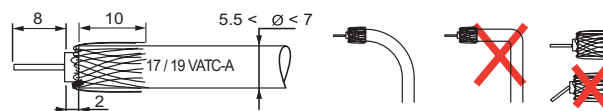


4. OVERALL DIMENSIONS



5. CABLING PRECAUTIONS

Stripping length:

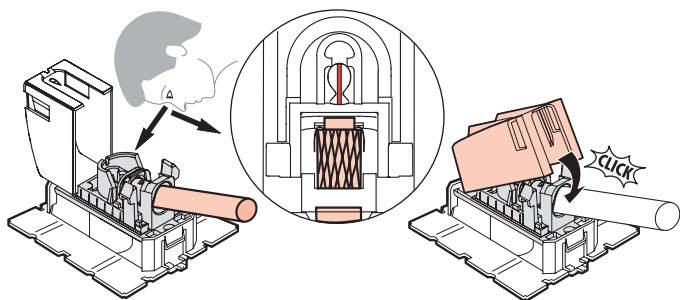


Caution: Make sure the coaxial cable has the largest possible bend radius to prevent impedance breakage and a resulting deterioration in performance due to deformation of this coaxial cable. A signal amplifier must be used with passage and terminal sockets to compensate for attenuations generated by this technique.

Arteor™ Single TV socket outlets

Cat. No(s): 572 171/163/671/663

6. CONNECTION



7. TECHNICAL CHARACTERISTICS




7.1 Mechanical characteristics

Impact tests: IK 03

7.2 Material characteristics

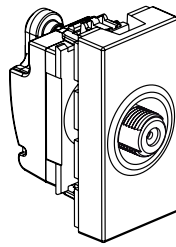
Cover plates: ABS

8. PERFORMANCES

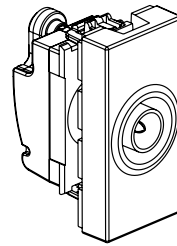
Coax	Attenuation		Control	Channel 1	Channel RD	Channel VHF	Channel UHF	Channel SAT (IF)
Z = 75 Ω		500 mA						
		—	22 / 0.6	47 - 68	87.5 - 108	120 - 470	470 - 862	950 - 2400
	dB	mA	KHz / V	MHz	MHz	MHz	MHz	MHz
	i < 1.5 dB			1	1	1	1	1.5

Arteor™ Single television sockets

Cat. No(s) : 5 721 63/71-5 726 63/71



5 721 63/5 726 63



5 721 71/5 726 71

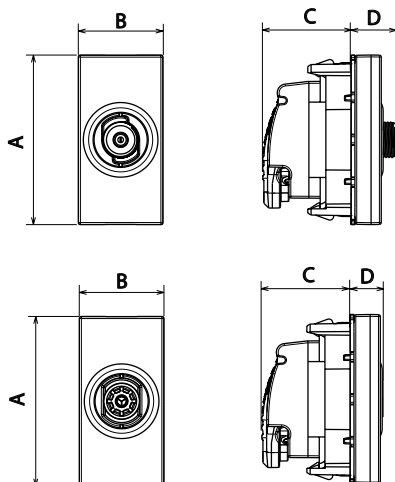
1. USE

Male TV socket Ø 9,52 mm and F type female TV socket screw-in connector
 Recommended cable 17/19 VATC
 Compatible with UHD terrestrial TV
 Shielded star (class A)
 0-2400 MHz

2. RANGE

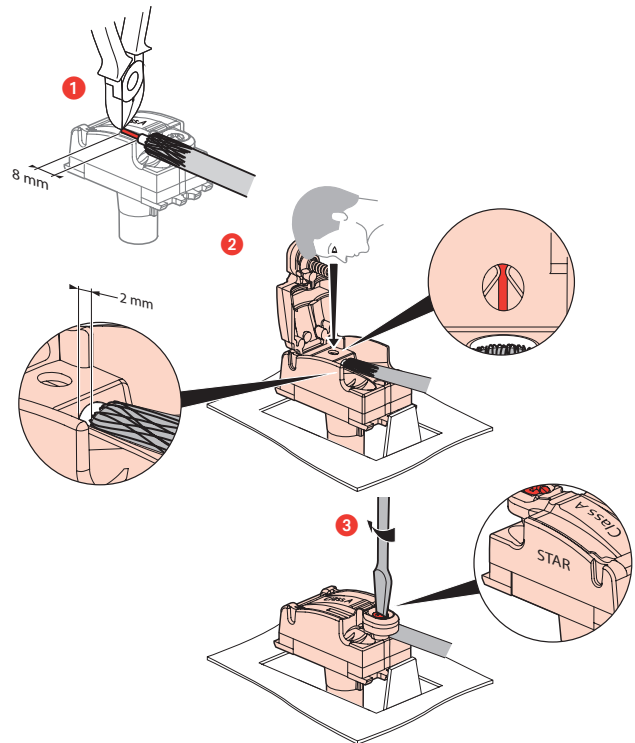
Cat. Nos.	Description	colour	No. of modules
5 721 63	Single F type female TV socket screw-in connector	white	1
5 726 63	Single F type female TV socket screw-in connector	magnesium	1
5 721 71	Single male TV socket Ø 9.52 mm	white	1
5 726 71	Single male TV socket Ø 9.52 mm	white	1

3. DIMENSIONS (mm)

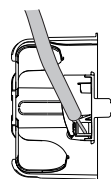
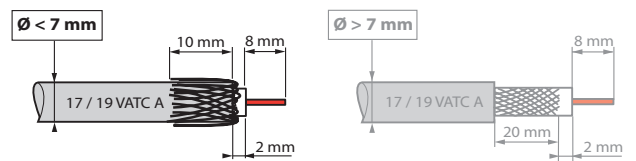


Cat. Nos.	A	B	C	D
5 721 63 - 5 726 63	45	22,5	23,4	12,2
5 721 71 - 5 726 71				8,7

4. CONNECTION



5. WIRING PRECAUTIONS



By restricting deformation of the coaxial cable, the rear connection avoids impedance discontinuity, thereby sustaining performance.

6. TECHNICAL CHARACTERISTICS

■ 6.1 Mechanical characteristics

Protection against solid bodies and liquids: IP 21
Protection against impacts: IK 04
Cable resistance 120 N: standard IEC 61169-24

■ 6.2 Material characteristics

Casing: Poly gloss appearance

Colour: - White RAL 903
- Aluminium

Material: - Plate: ABS/PC
- Cover plate: ABS
- Halogen-free
- UV resistant

Motor: - Box: zamac
- Cover: zamac
- Pin: bronze
- Screws: steel

■ 6.3 Electrical characteristics

- Characteristic impedance: 75 Ohm
- Male connector Ø 9.52 mm
- F type female screw-in connector
- Class A shielding efficiency (class A shielding is necessary to prevent interference caused by using new 3 and 4 G phone signals, as these unwanted signals can result in pixellation on screen or adversely affect the sound track).
- Frequency bands: TV/SAT : 0 - 2400 MHz
- Attenuation: 1 dB maximum
- Insulation resistance: standard IEC 61169-24
- Compatible with remote power supply

■ 6.4 Climate characteristics

Storage and operating temperature: -5°C to +35°C

7. CARE

Clean the surface with a cloth.
Do not use acetone, tar-removing cleaning agents or trichloroethylene.
Resistant to the following products: Hexane (EN 60669-1), methylated spirit, soapy water, diluted ammonia, bleach diluted to 10%, window-cleaning products, pre-impregnated wipes.

Caution: Always test before using special cleaning products.

8. STANDARDS AND APPROVALS

- EN 50083-2
- EN 50083-4
- Class A certificate

pkm electronic GmbH
a member of the STC

Attestation of Conformity

We,
PKM electronic GmbH
Ohmstrasse 1
84160 Frontenhausen, Germany

confirm hereby that the product
(description of the apparatus, system, installation to which it refers)
**TV socket (star network) 5-2400MHz
SINGLE F TYPE TV SOCKET**
Brand: Legrand
complies with

Used Standard:
EN50083-2:2012 Cable networks for television signals, sound signals and interactive services - Part 2: Electromagnetic compatibility for equipment

The attestation based on a positive testing of a representative test sample.
The test sample fulfills the requirements of the above listed standard for **CLASS A**, tested according to Council Directive 2004/108/EC (EMC-Directive).

Date: 19.01.2016
Ref.-No.: 1510-0032
Based on Test report, Ref.-No.: 1510-0032
ACCREDITATION:
DAB3 D-PL-17379-01-00

pkm electronic GmbH
Ohmstrasse 1
84160 Frontenhausen, Germany
Karl Seifert
Authorized Signature

pkm TESTED IN GERMANY

pkm electronic GmbH
a member of the STC

Attestation of Conformity

We,
PKM electronic GmbH
Ohmstrasse 1
84160 Frontenhausen, Germany

confirm hereby that the product
(description of the apparatus, system, installation to which it refers)
**TV socket star network 5-2400Mhz
MECA TV ETOILE MALE**
Brand: Legrand
complies with

Used Standard:
EN50083-2:2012 Cable networks for television signals, sound signals and interactive services - Part 2: Electromagnetic compatibility for equipment

The attestation based on a positive testing of a representative test sample.
The test sample fulfills the requirements of the above listed standard for **CLASS A**, tested according to Council Directive 2004/108/EC (EMC-Directive).

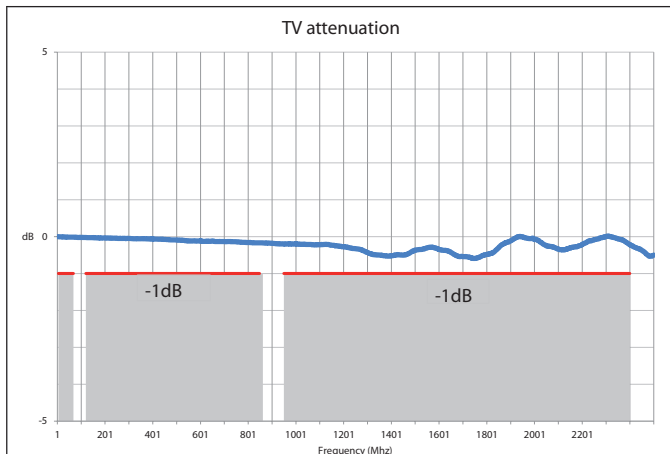
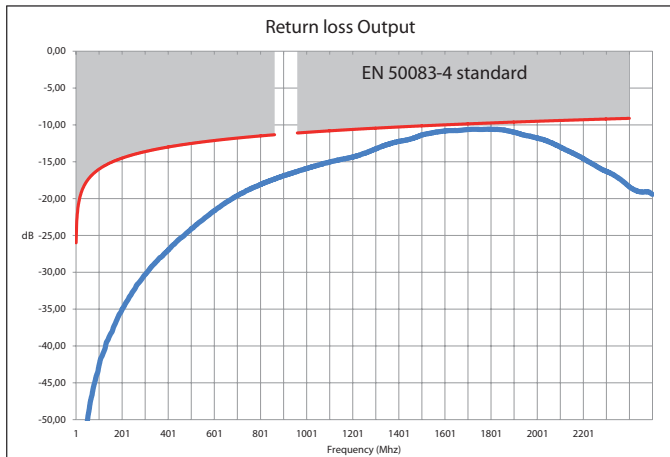
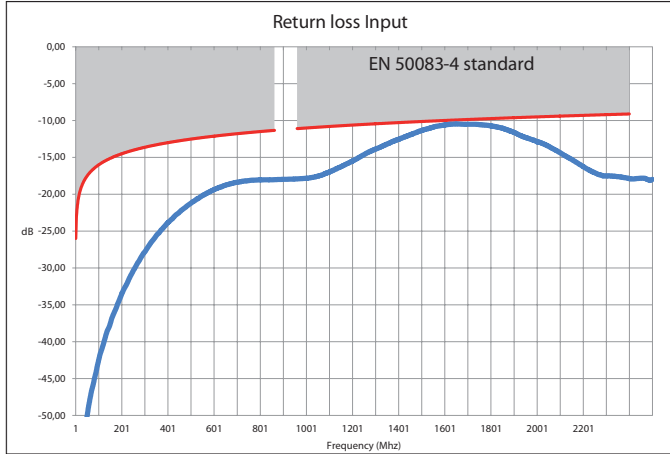
Date: 19.01.2016
Ref.-No.: 1502-0055
Based on Test report, Ref.-No.: 1502-0055
ACCREDITATION:
DAB3 D-PL-17379-01-00

pkm electronic GmbH
Ohmstrasse 1
84160 Frontenhausen, Germany
Karl Seifert
Authorized Signature

pkm TESTED IN GERMANY

9. PERFORMANCE

Single male TV socket



Single F type TV socket

