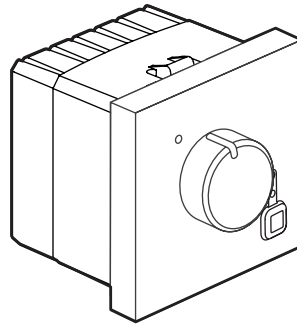


# Arteor™ Electronic room thermostat

Catalogue number: 5 722 03 - 5 727 03



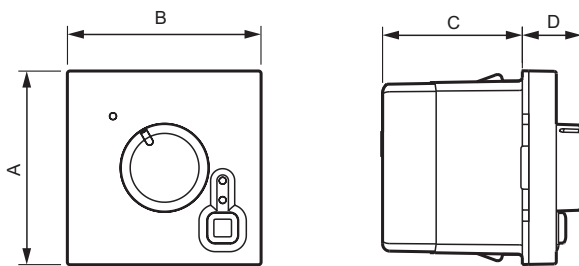
### 1. USE

Regulation control heating equipment or cooling systeme (summer/winter mode).  
 Compatible with all types of heating and cooling can be driven by dry contact.  
 Mechanisms to be equipped with finishes.

### 2. RANGE

| Description                                      | White    | Magnesium |
|--|----------|-----------|
| Electronic room thermostat 230 VAC, with sensor. | 5 722 03 | 5 727 03  |

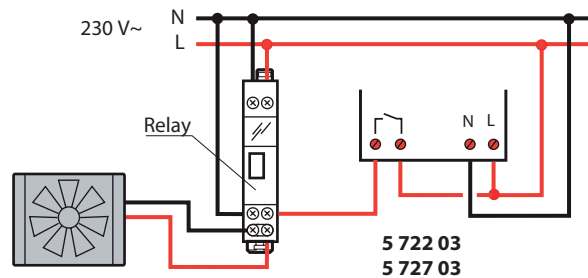
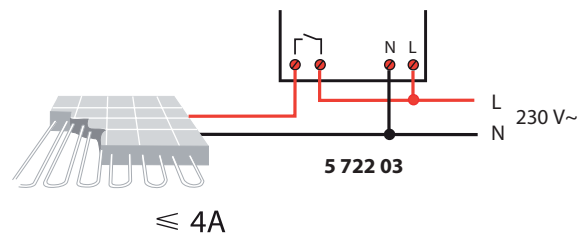
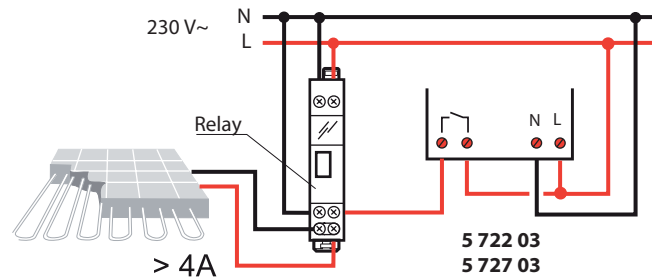
### 3. OVERALL DIMENSIONS (mm)



| A  | B  | C    | D    |
|----|----|------|------|
| 45 | 45 | 32.5 | 14.5 |

### 4. CONNECTION

Number of terminals: 4  
 Type of terminals: with screws  
 Terminal capacity: 2 x 1.5 mm<sup>2</sup> flexible or rigid  
 Stripping length: 6 mm  
 Tool: flat screwdriver 3.5 mm



Maximum operation distance: 50 m

## 5. FUNCTION

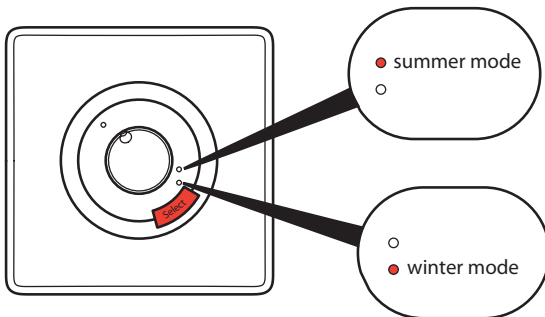
The thermostat is equipped with a temperature sensor and provides a relay (open/closed) depending on the ambient temperature. The regulation is ensured by an algorithm (commutation cycle) thus ensuring a minimal temperature variation relative to the ambient temperature.

Setting range 7-30°C by using the rotary knob.

The "select" button allows selection of summer / winter modes (hold an above 2 seconds press).

In winter mode, the thermostat switching on if the temperature measured is too low (heating).

In summer mode, the contact is closed if the measured temperature is too high (conditioning).



Regulation Accuracy: < 0.5°C for a conventional installation and maximum charge of 4 A.

Relay normally open or closed depending on the selection of "winter mode" or "summer mode" ≥ 4/8 A (with less precision).

## 6. TECHNICAL CHARACTERISTICS

### ■ 6.1 Index of protection

Protection against solid bodies and liquids: IP 21

Impact tests: IK 04

### ■ 6.2 Material characteristics

Polycarbonate

### ■ 6.3 Electrical characteristics

Self extinguishing: 850° C / 30 s

Voltage: 230 VAC

Frequency: 50/60 Hz

### ■ 6.4 Climatic characteristics

Storage temperature: - 10° C to + 70° C

Cooling temperature: - 5° C to + 40° C

## 7. STANDARDS AND APPROVALS

Compliance with standards of installation and manufacturing.

Refer to e. catalogue.

CAT. N° 5 722 63



## THERMOSTAT FOR ELECTRIC FLOOR HEATING ARTEOR - 2 MODULES - WHITE

|                           |        |
|---------------------------|--------|
| Pack (number of units)    | 1      |
| Volume (dm <sup>3</sup> ) | 1,08   |
| Weight (g)                | 250,00 |

### Product characteristics

#### Thermostats

##### Thermostat for electric floor heating

- With one potential free N/O contact and LED
- 16 A - 230 V~
- Adjustable range from 7 °C to 40 °C
- 2 modules
- White

### General characteristics

#### Arteor™ ventilation, heating, roller blinds control, RCBO and MCB

- Mechanisms supplied with rocker plates, to be equipped with support frames and plates

### Documentation



#### Catalogue pages & additional information

- [Selection chart \(p.447\)](#)
- [Description page \(p.459\)](#)



#### Installation instructions & related documents

- [292375-06](#)

CAT. N° 5 727 63



## THERMOSTAT FOR ELECTRIC FLOOR HEATING ARTEOR - 2 MODULES - MAGNESIUM

|                           |          |
|---------------------------|----------|
| Pack (number of units)    | 10       |
| Volume (dm <sup>3</sup> ) | 14,414   |
| Weight (g)                | 2 732,00 |

### Product characteristics

#### Thermostats

##### Thermostat for electric floor heating

- With one potential free N/O contact and LED
- 16 A - 230 V~
- Adjustable range from 7 °C to 40 °C
- 2 modules
- Magnesium

### General characteristics

#### Arteor™ ventilation, heating, roller blinds control, RCBO and MCB

- Mechanisms supplied with rocker plates, to be equipped with support frames and plates

### Documentation



#### Catalogue pages & additional information

- [Selection chart \(p.447\)](#)
- [Description page \(p.459\)](#)



#### Installation instructions & related documents

- [292375-06](#)

CAT. N° 5 727 08



## THERMOSTAT FOR ELECTRIC FLOOR HEATING ARTEOR - 2 MODULES - CHAMPAGNE

|                           |     |
|---------------------------|-----|
| Pack (number of units)    | O/R |
| Volume (dm <sup>3</sup> ) | O/R |
| Weight (g)                | O/R |

### Product characteristics

#### Thermostats

##### Thermostat for electric floor heating

- With one potential free N/O contact and LED
- 16 A - 230 V~
- Adjustable range from 7 °C to 40 °C
- 2 modules
- Champagne

### General characteristics

#### Arteor™ ventilation, heating, roller blinds control, RCBO and MCB

- Mechanisms supplied with rocker plates, to be equipped with support frames and plates

### Documentation

#### Installation instructions & related documents

- 292375-06

CAT. N° 5 727 07



## THERMOSTAT FOR ELECTRIC FLOOR HEATING ARTEOR - 2 MODULES - SOFT ALU

|                           |     |
|---------------------------|-----|
| Pack (number of units)    | O/R |
| Volume (dm <sup>3</sup> ) | O/R |
| Weight (g)                | O/R |

### Product characteristics

#### Thermostats

##### Thermostat for electric floor heating

- With one potential free N/O contact and LED
- 16 A - 230 V~
- Adjustable range from 7 °C to 40 °C
- 2 modules
- Soft Alu

### General characteristics

#### Arteor™ ventilation, heating, roller blinds control, RCBO and MCB

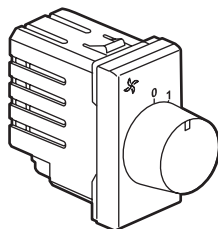
- Mechanisms supplied with rocker plates, to be equipped with support frames and plates

### Documentation

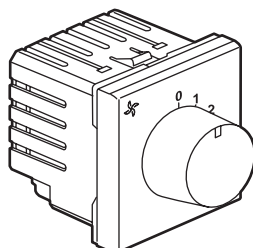
- ✕ **Installation instructions & related documents**
  - [292375-06](#)

# Arteor™ Fan controller

Cat. No(s): 5722 00/14/15/17/18 - 5727 00/14/15/17/18  
5730 03/69 - 5731 03/69  
5734 16/63/69 - 5736 16/63/69



5722 00 - 5727 00  
5734 16 - 5736 16



5722 14/15 - 5727 14/15  
5730 03/69 - 5731 03/69  
5734 63/69 - 5736 63/69

## CONTENTS

Page

|                                   |     |
|-----------------------------------|-----|
| 1. Use.....                       | 1   |
| 2. Range.....                     | 1-2 |
| 3. Preparation.....               | 2   |
| 4. Overall dimensions.....        | 2   |
| 5. Connection.....                | 2   |
| 6. Operation.....                 | 3   |
| 7. Technical characteristics..... | 3   |
| 8. Cleaning.....                  | 3   |
| 9. Conformity - Approvals.....    | 3   |

## 1. USE

Rotary speed controller for fan.

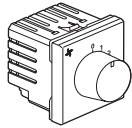
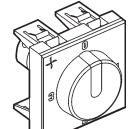
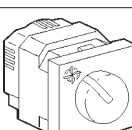
## 2. RANGE

|  | Designation           | Finishes |           | Number of modules | Connection method | Weight (g) | Characteristics |
|--|-----------------------|----------|-----------|-------------------|-------------------|------------|-----------------|
|  |                       | White    | Magnesium |                   |                   |            |                 |
|  | Fan controller square | 5722 00  | 5727 00   | 1                 | with screws       | 24.4       | 100 W - 240 V   |
|  | Fan controller square | 5734 16  | 5736 16   | 1                 | with screws       | 24.4       | 100 W - 240 V   |
|  | Fan controller square | 5722 14  | 5727 14   | 2                 | with screws       | 41.4       | 100 W - 240 V   |
|  | Fan controller square | 5734 63  | 5736 63   | 2                 | with screws       | 41.4       | 100 W - 240 V   |
|  | Fan controller round  | 5730 03  | 5731 03   | 2                 | with screws       | 41.4       | 100 W - 240 V   |
|  | Fan controller square | 5734 69  | 5736 69   | 2                 | with screws       | 41.4       | 120 W - 240 V   |
|  | Fan controller round  | 5730 69  | 5731 69   | 2                 | with screws       | 41.4       | 120 W - 240 V   |

# Arteor™ Fan controller

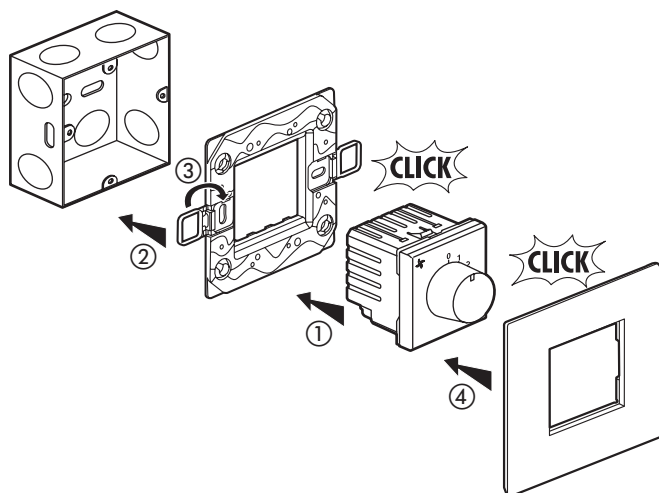
Cat. No(s).: 5722 00/14/15/17/18 - 5727 00/14/15/17/18  
5730 03/69 - 5731 03/69  
5734 16/63/69 - 5736 16/63/69

## 2. RANGE (continued)

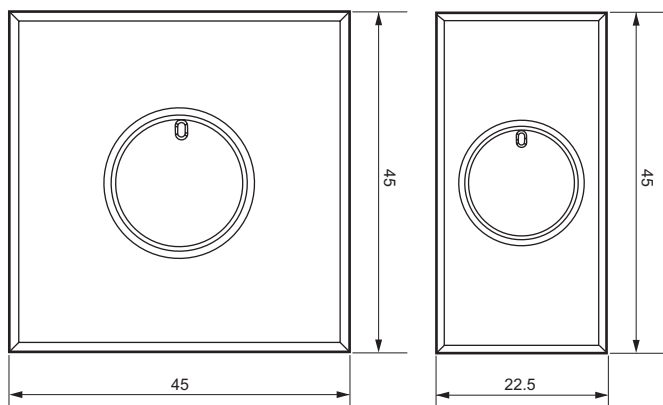
|   | Designation                            | Finishes |           | Number of modules | Connection method | Weight (g) | Characteristics |
|---|--|----------|-----------|-------------------|-------------------|------------|-----------------|
|   |  | White    | Magnesium |                   |                   |            |                 |
|  | Fan controller for local market square | 5722 15  | 5727 15   | 2                 | with screws       | 41.4       | 100 W - 240 V   |
|  | AC speed controller for fan square     | 5722 17  | 5727 17   | 2                 | with screws       | 26.6       | 10 A - 240 V    |
|  | Rotary speed controller for fan square | 5722 18  | 5727 18   | 2                 | with screws       | 58.7       | 400 VA - 240 V  |

## 3. PREPARATION

The mechanisms can be flush-mounted or surface-mounted.



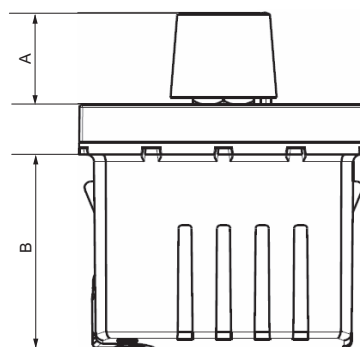
## 4. OVERALL DIMENSIONS



5722 14/15/17/18 - 5727 14/15/17/18  
5730 03/69 - 5731 03/69  
5734 63/69 - 5736 63/69

5722 00 - 5727 00  
5734 16 - 5736 16

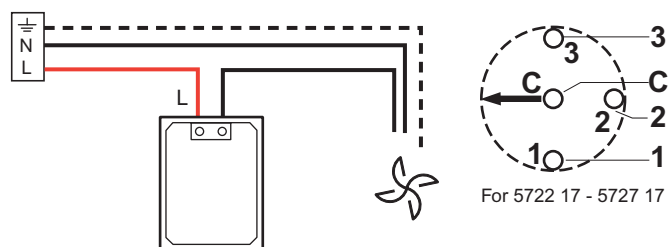
## 4. OVERALL DIMENSIONS (continued)



|                   | A    | B    |
|-------------------|------|------|
| 5722 00/14/15     | 15.6 | 33.1 |
| 5727 00/14/15     |      |      |
| 5730 03/69        |      |      |
| 5731 03/69        |      |      |
| 5734 16/63/69     |      |      |
| 5736 16/63/69     | 9    | 22   |
| 5722 17 - 5727 17 |      | 31.6 |
| 5722 18 - 5727 18 |      |      |

## 5. CONNECTION

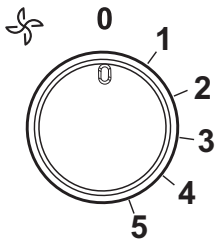
Capacity: 2 x 1.5 mm<sup>2</sup> or 1 x 2.5 mm<sup>2</sup>  
Screwdriver: flat-blade 3.5 mm



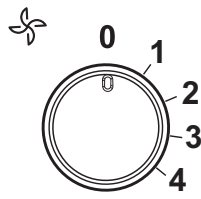
For 5722 17 - 5727 17



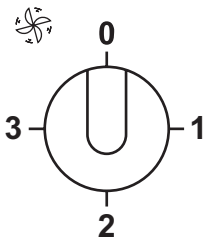
**6. OPERATION**



5722 14/15 - 5727 14/15  
 5730 03/69 - 5731 03/69  
 5734 63/69 - 5736 63/69



5722 00 - 5727 00  
 5734 16 - 5736 16



5722 17 - 5727 17



5722 18 - 5727 18

**7. TECHNICAL CHARACTERISTICS**

**7.1 Material characteristics**

Impact tests: IK 04  
 Protection by solid bodies/liquids: IP 40 (mounted)  
 IP 20 (alone)

**7.2 Material characteristics**

Base: polycarbonate  
 Cover plate: polycarbonate  
 Knob: polycarbonate

**7.3 Electrical characteristics**

Voltage: 240 VAC  
 Frequency: 50/60 Hz  
 Power:



|                   |        |
|-------------------|--------|
| 5722 00/14/15     | 100 W  |
| 5727 00/14/15     |        |
| 5722 17 - 5727 17 | 10 A   |
| 5722 18 - 5727 18 | 400 VA |
| 5730 03 - 5731 03 | 100 W  |
| 5730 69 - 5731 69 | 120 W  |
| 5734 16 - 5736 16 | 100 W  |
| 5734 63 - 5736 63 |        |
| 5734 69 - 5736 69 | 120 W  |

Self-extinguishing: 650° C / 30 s

**7.4 Climatic characteristics**

Storage temperatures: - 10° C to + 70° C  
 Operating temperatures: - 5° C to + 35° C

**8. CLEANING**

Surface cleaning with a cloth

Do not use: acetone, tar remover, trichloroethylene

Resistance to the following cleaning agents: Hexane (EN-60669-1), Methylated spirits, Soapy water, diluted ammonia, diluted pure bleach 10%, Glass cleaning substance, Pre-impregnated wipes.

**Caution:** A preliminary test should be carried out if other specific cleaning products are to be used

**9. CONFORMITY - APPROVALS**

Approvals in process:

5722 15 - 5727 15: IECEE, PAI, SONCAP, KEN.  
 5730 03/69 - 5731 03/69 - 5734 16/63/69 - 5736 16/63/69: BSI