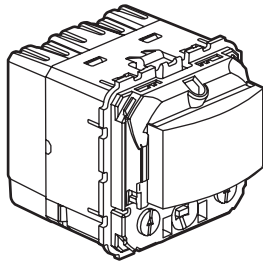
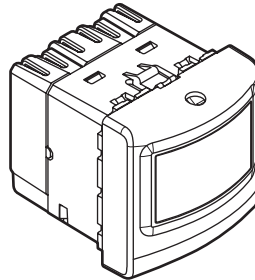


Switch sensor 3-wire - 2000 W

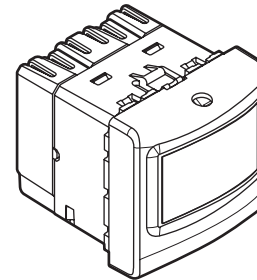
Cat. No(s): 0 670 99 - 0 784 54 - 0 792 58 - 5 740 47/97



0 670 99



0 784 54 - 0 792 58



5 740 47/97

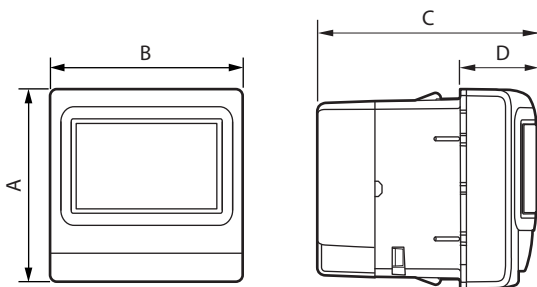
1. USE

Switch sensor with neutral, infrared detection (PIR).
 Allows a light source to be controlled automatically through the detection of any presence in the surveillance zone.
 Presence sensor with 120° detection angle.
 For flush-mounting, back box to be min. 40 mm deep.
 To be equipped with plate.

2. RANGE

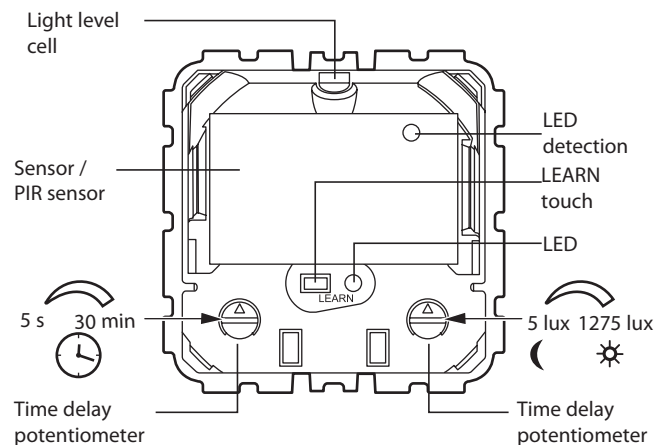
Description	Colour	Cat. Nos
Switch sensor 2000 W Céliane 3-wire with neutral	-	0 670 99
Switch sensor 2000 W Mosaic 3-wire with neutral	White Alu	0 784 54 0 792 58
Switch sensor 2000 W Arteur 3-wire with neutral	White Magnesium	5 740 47 5 740 97

3. DIMENSIONS (mm)



A	B	C	D
45	45	51	16

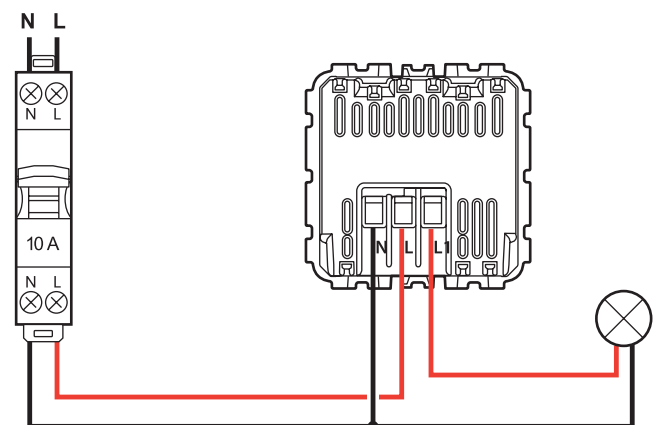
4. PRESENTATION



5. CONNECTION

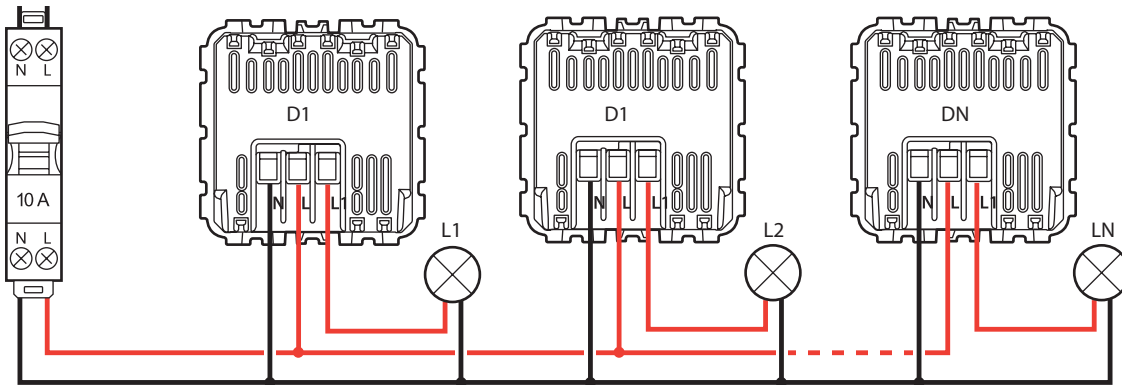
Number of terminals: 4
 Type of terminals: automatic
 Terminal capacity: 2 x 2.5 mm²
 Stripping length: 8 mm
 Screwdriver: flat 4 mm
 Compatible with flexible or rigid cables

5.1 Wiring with auxiliary control

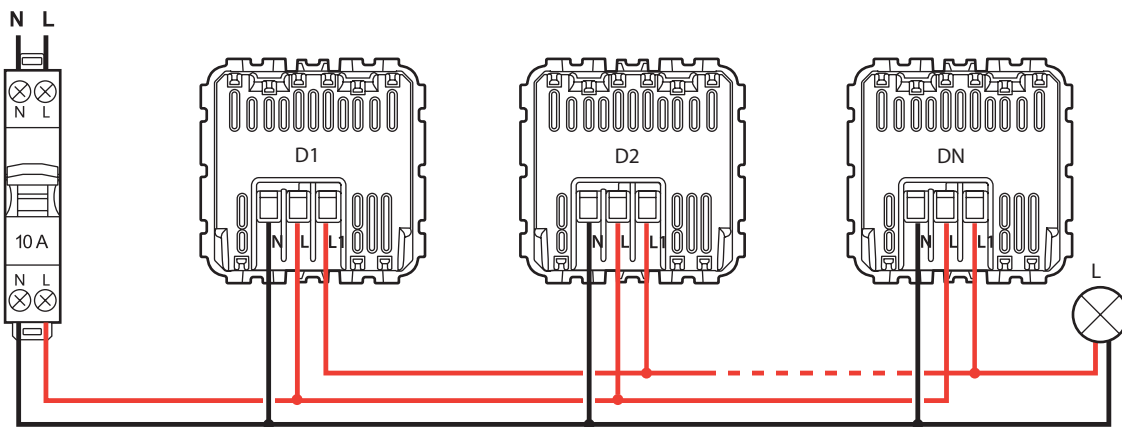


5. CONNECTION (continued)

■ 5.2 Wiring for several loads connected in parallel



■ 5.3 Wiring for a single load connected in parallel



6. TECHNICAL CHARACTERISTICS

■ **6.1 Mechanical characteristics**

Protection against impact: IK 04

Protection against solid bodies and liquids:

- IP 20 mechanism alone
- IP 40 mounted product with rocker and plate

■ **6.2 Material characteristics**

Colour: - White RAL 9003

- Aluminium
- Magnesium

Material: - Plate: ABS

- Halogen free
- UV resistant

Self-extinguishing:

850° C / 30 s for insulating parts holding live parts in place.

650° C / 30 s for other parts made of insulating materials

■ **6.3 Electrical characteristics**

Voltage: 100 - 240 V~

Frequency: 50-60 Hz

Standby consumption: 0.2 W

Output via normally open contact connected to the phase

Power:

	①	②	③	④	⑤	⑥	⑦	⑧							
230 V~	2000 W	8.5 A	1000 VA	4.3 A	1000 VA	4.3 A	10 x (2x36 W)	4.3 A	10 x (2x36 W)	4.3 A	500 VA	2.1 A	500 VA	2.1 A	I max. ≤ 2 A
110 V~	1000 W		500 VA		500 VA		5 x (2x36 W)		5 x (2x36 W)		250 VA		250 VA		

1 - Halogen bulb

2 - ELV halogen bulb with separate ferromagnetic ballast

3 - ELV halogen bulb with separate electronic ballast

4 - Fluorescent tube with separate ferromagnetic ballast

5 - ELV fluorescent tube with separate electronic ballast

6 - Compact fluorescent bulb with built-in electronic ballast

7 - LED bulb with built-in electronic ballast

8 - Contactor

Important: Take account of transformer losses when calculating power. Transformers must be loaded at more than 60 % of their power.

Note: Possibility to mix any type of load on the same circuit.

■ **6.4 Climatic characteristics**

Use temperature: - 5° C to + 35° C

Storage temperature: - 10° C to + 70° C

7. OPERATION

■ **7.1 More than one sensor and more than one load**

Auto ON/OFF mode:

The load will be switched on and off automatically.

Option:

It is possible to control the sensor by infrared remote control using:

Cat. Nos. 0 882 00/01/20/31/32/33.

Synchronising the products is done in two stage:

- one long press (>1s) all the sensors (S) switch to the ON state
- one short press all the sensors (S) switch to the OFF state

L1 ON L2 OFF Ln OFF	D1 ON D2 OFF Dn OFF	BP $> 1 s$ $+$ $< 1 s$	L1 OFF L2 OFF Ln OFF	D1 OFF D2 OFF Dn OFF
L1 ON L2 OFF Ln OFF	D1 ON D2 OFF Dn OFF	BP $< 1 s$	L1 ON L2 ON Ln ON	D1 ON D2 ON Dn ON
L1 OFF L2 OFF Ln OFF	D1 OFF D2 OFF Dn OFF	BP $< 1 s$	L1 ON L2 ON Ln ON	D1 ON D2 ON Dn ON
L1 ON L2 ON Ln ON	D1 ON D2 ON Dn ON	BP $< 1 s$	L1 OFF L2 OFF Ln OFF	D1 OFF D2 OFF Dn OFF
L1 ON L2 OFF Ln OFF	D1 ON D2 OFF Dn OFF	BP $< 1 s$	L1 OFF L2 ON Ln ON	D1 OFF D2 ON Dn ON


7. OPERATION (continued)

■ **7.2 Several sensors connected to a single load**

L OFF	D1 OFF D2 OFF Dn OFF	BP $< 1 s$	L ON	D1 ON D2 ON Dn ON
L ON	D1 ON D2 ON Dn ON	BP $< 1 s$	L OFF	D1 OFF D2 OFF Dn OFF
L ON	D1 ON D2 OFF Dn OFF	BP $< 1 s$	L ON	D1 OFF D2 ON Dn ON
L ON	D1 ON D2 OFF Dn OFF	BP $< 1 s$ $+$ $> 1 s$	L OFF	D1 OFF D2 OFF Dn OFF
L ON	D1 ON D2 OFF Dn OFF	BP $> 1 s$	L ON	D1 ON D2 ON Dn ON

7. OPERATION (continued)**7.3 Detection parameters**

Sensor parameters	Default value	Modifiable parameters	Configuration tools	
			0 882 30	0 882 35
Time delay	15 mn	3,5,10,15,20 min	–	✓
		5s - 59 min 59s	✓	–
Sensitivity	PIR (very high)	Low, medium, high, very high	✓	✓
Modes	Auto on/ Auto off	Active	✓	✓
	Walk-through mode	Inactivr	✓	✓
	Manual on/ Auto off	Inactir	✓	✓
Detection system	Initial	PIR	✓	–
	Maintain	PIR	✓	–
	Restart	PIR, Deactivater	✓	–
Alarm	Inactive	Activate/ Deactivate	✓	–

 **Time delay:** Length of time the load is on after detection.

 **Sensitivity:** Detection range setting.

Modes: **Auto on/Auto off mode:****Comes on automatically:**

- At the detection of a presence if there is an insufficient natural level of light.

Turns off automatically:

- If no presence is detected and at the end of the time delay set.
- Or if the natural light level is sufficient (regulation activated)
Another detection causes automatic switch-on if there is insufficient light.

 **Walk-through mode:**

- If no presence is detected in the 20 seconds following an initial detection, the product will cut off the load after 3 minutes.
- If another presence is detected in the 3 minutes following initial detection, the device will cut off the load at the end of the set time delay.

 **Manual on/Auto off mode:****Comes on via a manual switch, automatic switch off:**

- Where no presence is detected and at the end of the time delay set. After switch-off, any new detection within a 30 second period triggers an automatic switch-on. The Restart function must be activated. After 30 seconds the device is switched on via a manual switch.

Detection system:

Initial detection: The load is switched on as soon as the first detection occurs if the natural light level is below the light level threshold.

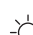
Maintain: The load remains active if another presence is detected.

Restart: In manual mode. After switch-off, any new detection within a 30 second period triggers an automatic switch-on. After 30 seconds the device must be switched on manually.

Alarm: an audible signal is emitted before switch-off. (1 minute before, then 30 seconds, then 10 seconds).


7. OPERATION (continued)**7.4 Light parameters**


Sensor parameters	Default value	Modifiable parameters	Configuration tools	
			0 882 30	0 882 35
Light level threshold	300 lux	20, 100, 300, 500, 1000 lux	–	✓
		5 - 1275 lux	✓	–
Advanced mode	Calibration	–	✓	–
	Regulation	Actif	✓	–
	Light contribution	Auto	✓	–

 **Light level threshold:** Value at which the load comes on if the natural light level is less than the setting.

Caution: At 1275 lux, the device becomes a motion sensor.

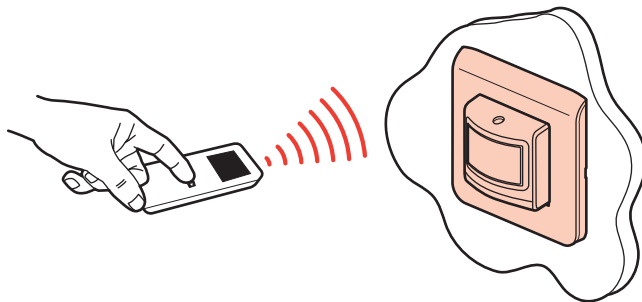
Advanced mode:

 **Calibration:** The ambient light level measured with a luxmeter must then be transmitted to the sensor (see data sheet Cat. No. 0 882 30).

 **Regulation :** Automatic switch-off of the load 10 minutes after the light level threshold is exceeded with an additional safety threshold (to avoid lights switching off at the wrong moment).

Light contribution: Quantity of additional lux provided by the load being switched on.

When the light contribution parameter is set to "Auto" (value 0) on the configuration tool Cat. No. 0 882 30 the sensor automatically calculates the light contribution.

7.5 Modifying the parameters using the configuration tools

- 0 882 35: Simplified configuration tool
- 0 882 30: Advanced configuration tool

When the sensor receives an IR command using the configuration tool, it emits a beep acknowledging the modification.

For more information about setting parameters, refer to the data sheet for the configuration tool Cat. No. 0 882 30.

Range: 1 m.

The potentiometers are active by default. Using a configuration tool deactivates all the potentiometers.

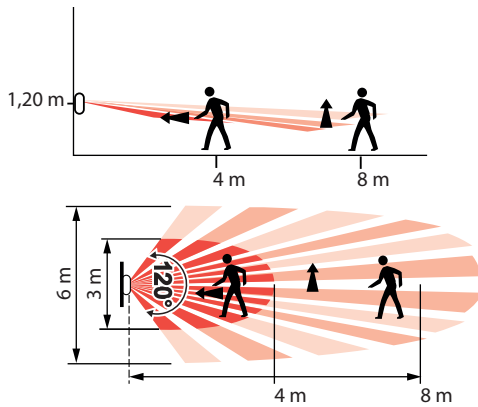
Reset the product to reactivate them.

- Restore to factory settings:

1st press: Short press on LEARN: the LED flashes slowly.

2nd press: Press and hold down LEARN for 10 seconds until the LED flashes quickly.

8. PERFORMANCE



■ 8.1 PIR detection (walk-through)

Sensitivity	Ø (m)
Low (25%)	7
Medium (50%)	8
High (75%)	10
Very high (100%)	12

■ 8.2 PIR detection (presence)

Sensitivity	Ø (m)
Low (25%)	1
Medium (50%)	2
High (75%)	4
Very high (100%)	5

9. CLEANING

Clean the surface with a cloth.
 Do not use acetone, tar-removing cleaning agents or trichloroethylene.
 Resistance to the following cleaning substances:
 Hexane (EN 60669-1), Methylated spirit, Soapy water, Diluted ammonia, Diluted pure bleach 10%, Glass cleaning product.

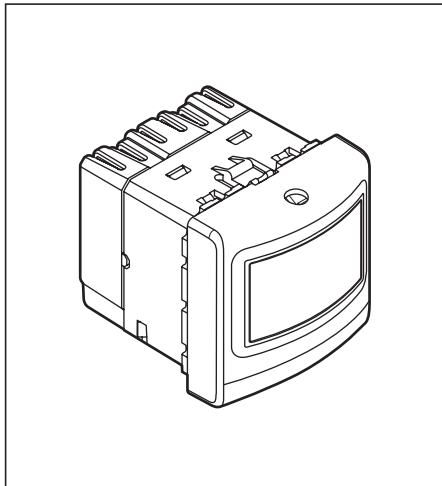
Caution: An initial test is required for the use of other special maintenance products.

10. STANDARDS AND APPROVALS

Compliance with standards of installation and manufacturing.
 See e.catalogue.

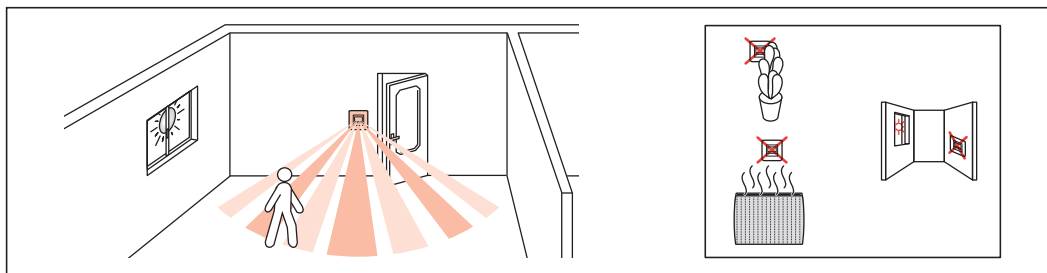
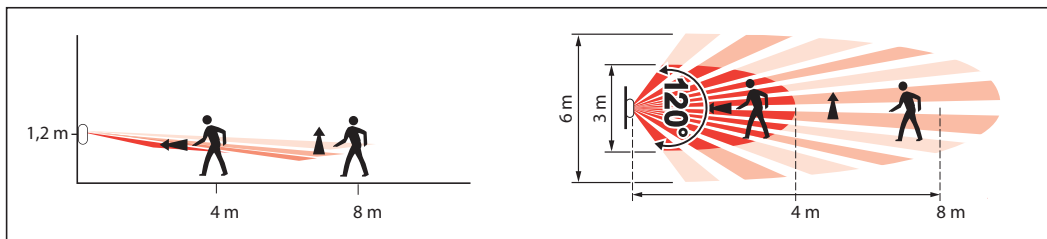
11. TROUBLESHOOTING

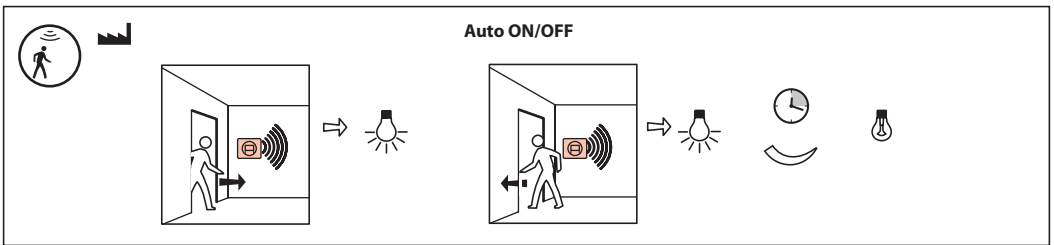
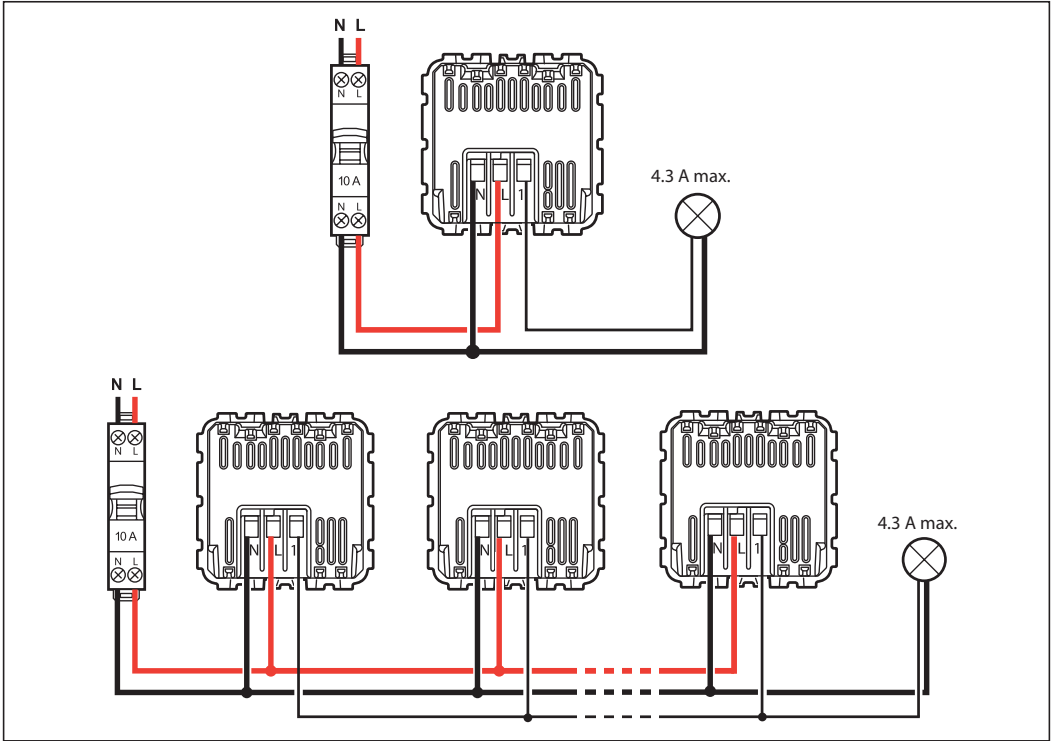
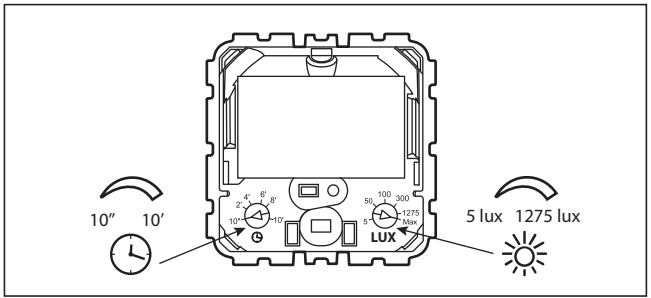
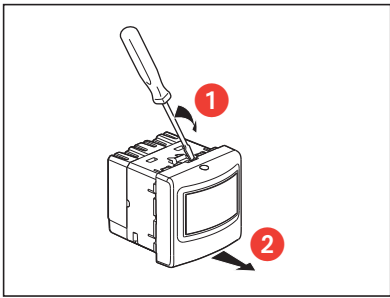
PROBLEM	CAUSES	SOLUTIONS
Lighting stays on when there is no-one present	Sources of interference can cause false tripping, such as: air current, vibrations, radiators	1- Reduce the sensitivity level 2- If the interference continues: using the configuration tool, go into the Detection system parameters, select Maintain and then choose PIR 3- If the interference still continues, move the sensor away from sources of interference
Lighting does not switch off during the day when there is an adequate level of natural light	Regulation function not active Light level threshold set too high Light contribution is too high	Activate the regulation function Reduce the light level threshold Check that the sensor is positioned correctly in relation to the window Decrease the power of the luminaires
Lighting switches off when there are people present and the natural light level is not adequate (darkness)	Time delay too short Detection sensitivity too low Light level threshold too low	Increase the time delay 10 to 1 minutes is recommended for work areas Increase the sensitivity Move the sensor closer to the work area Increase the threshold



	240 V~
	50/60 Hz
	2 x 2,5 mm ²
	- 5°C / + 45°C
	PIR / 被动红外线
	Max.
	10 sec
	8 m

230 V~	400 W	200 VA	200 VA	200 VA	50 W	150 VA	150 VA	150 VA	50 W
	1.8 A	0.8 A	0.8 A	0.8 A	0.2 A	0.6 A	0.6 A	0.6 A	0.2 A





⚠ Safety instructions

This product should be installed in compliance with installation rules, preferably by a qualified electrician. Incorrect installation and/or incorrect use can lead to risk of electric shock or fire.

Before carrying out the installation, read the instructions and take account of the product's specific mounting location.

Do not open up, dismantle, alter or modify the device except where specifically required to do so by the instructions. All Legrand products must be opened and repaired exclusively by personnel trained and approved by Legrand. Any unauthorised opening or repair completely cancels all liabilities and the rights to replacement and guarantees. Use only Legrand brand accessories.

⚠ 安全说明

该产品安装应符合安装规则，且最好由具备资质的电工进行安装。错误的安装及使用会导致触电或火灾等危险。

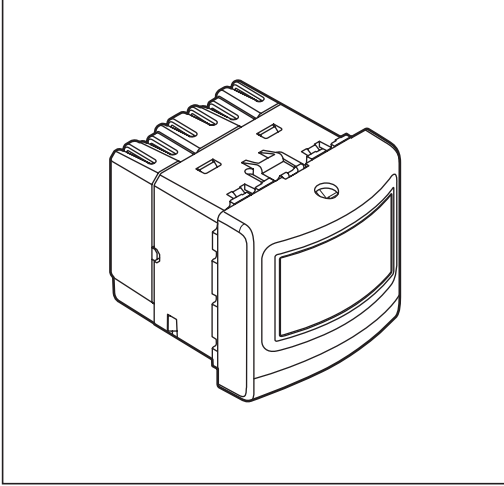
安装前，请仔细阅读安装说明并考虑产品特殊的安装位置

除安装说明中特殊要求外，请勿随意打开、拆除或改动装置。所有

Legrand 的产品需由 Legrand 认可的专业人员拆开维修。

任何未经授权的拆开或维修将取消产品更换及保修的责任和权利。

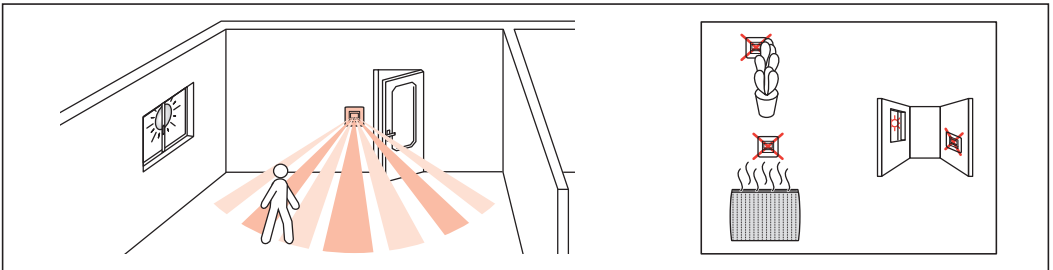
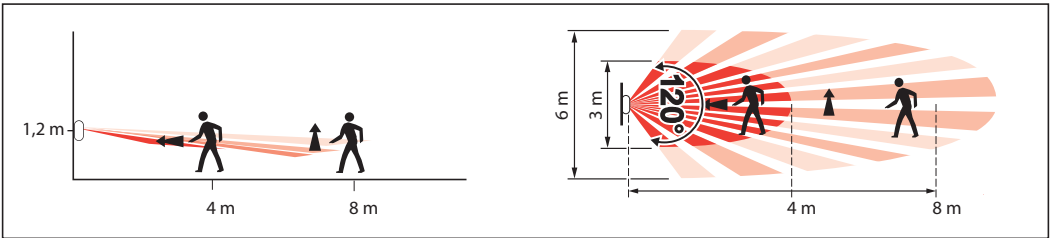
适用于 Legrand 品牌配件。

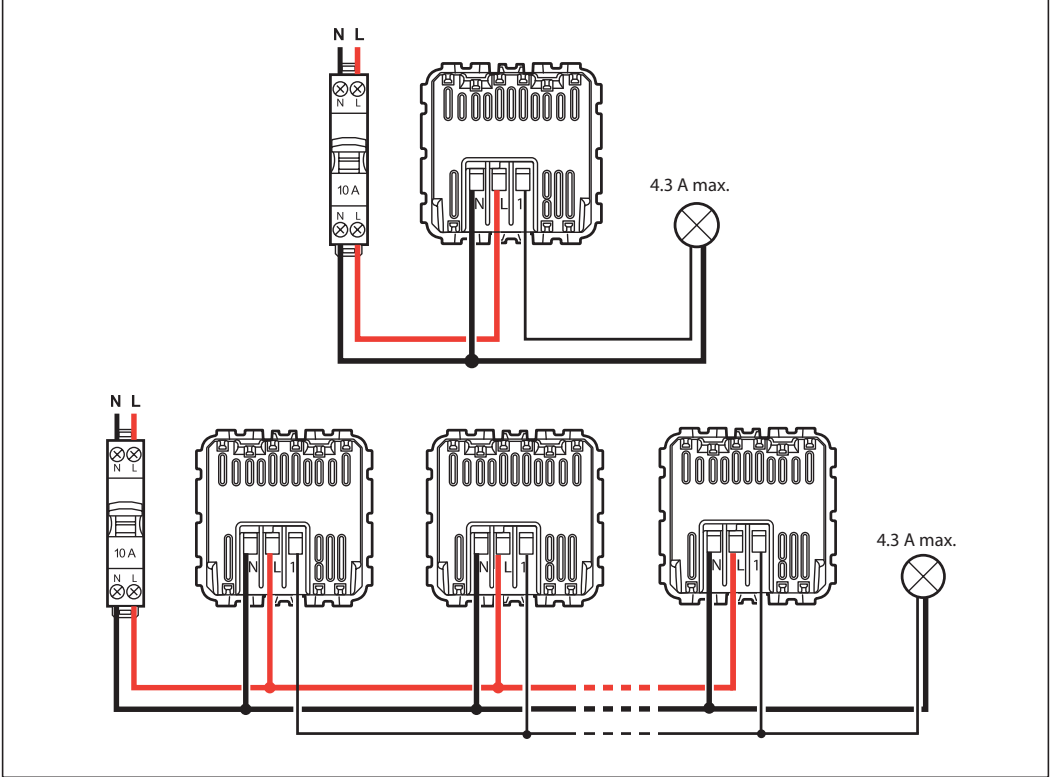
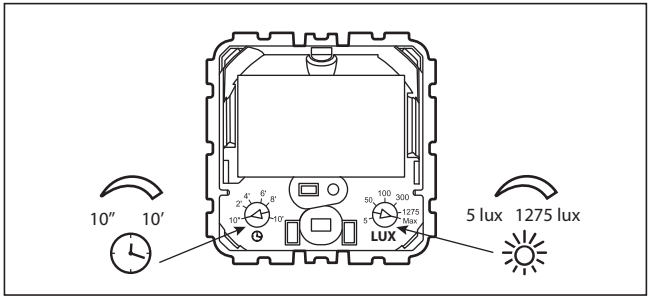
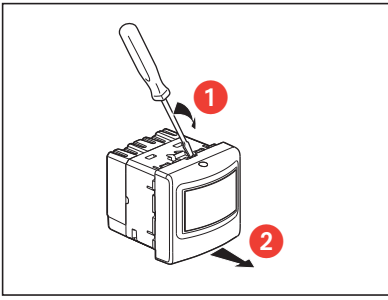


	240 فولت ~
	60/50 هرتز
	2 مم 2 x 2,5
	-5°C / +45°C
	أشعة تحت حمراء مليلية
	Max.
	10 sec
	8 متر

230 V~	400 W	200 VA	200 VA	200 VA	50 W	150 VA	150 VA	150 VA	50 W
	1.8 A	0.8 A	0.8 A	0.8 A	0.2 A	0.6 A	0.6 A	0.6 A	0.2 A

V~ = فولت ~ W = واط VA = فولت امبير

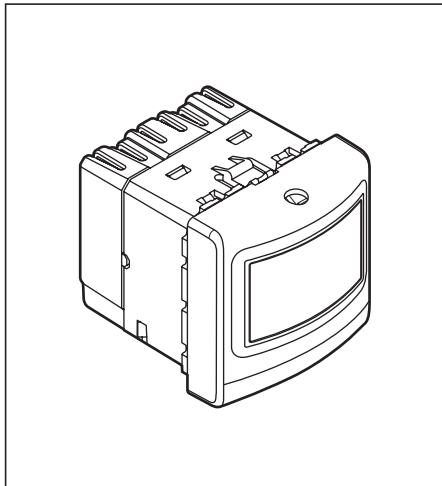




إرشادات الأمان

يجب تركيب هذا المنتج طبقاً لقواعد التركيب ويفضل أن يقوم بالتركيب كهربائياً مؤهلاً. فقد يؤدي التركيب الخاطئ أو أو الاستخدام الخاطئ إلى مخاطر التعرض لصدمة كهربائية أو نشوب حريق. اقرأ النشرة قبل التركيب، وأقرء مكاناً لتركيب المنتج خاصاً به، لا تفتح أو تفك أو تعطل أو تحوّل المنتج ما لم يُشر إلى ذلك بشكل محدد في النشرة. فكل منتجات Legrand يجب فتحها وإصلاحها حصراً من قبل فنيين مدربين ومؤهلين لدى Legrand. وكل فتح أو إصلاح غير مسموح به يُبطل المسؤوليات وحقوق الاستبدال والضمانات.

لا تستخدم سوى إكسسوارات من علامة Legrand حصراً.

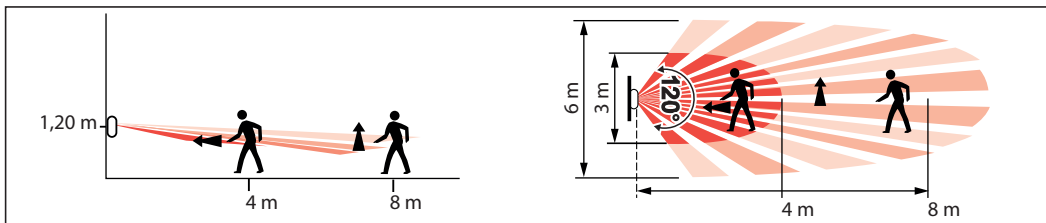


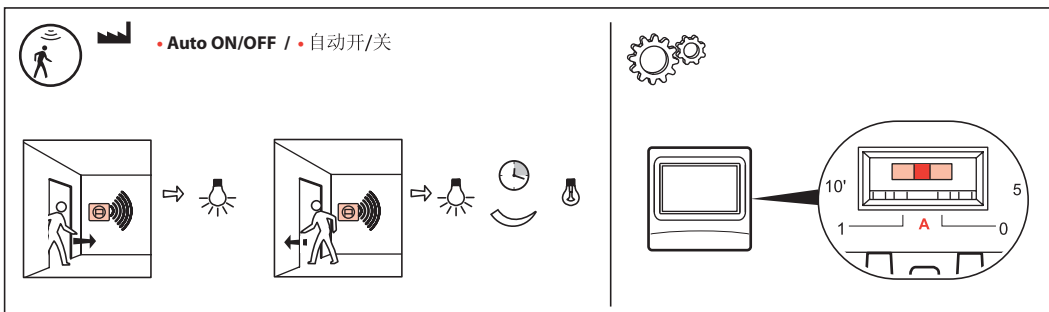
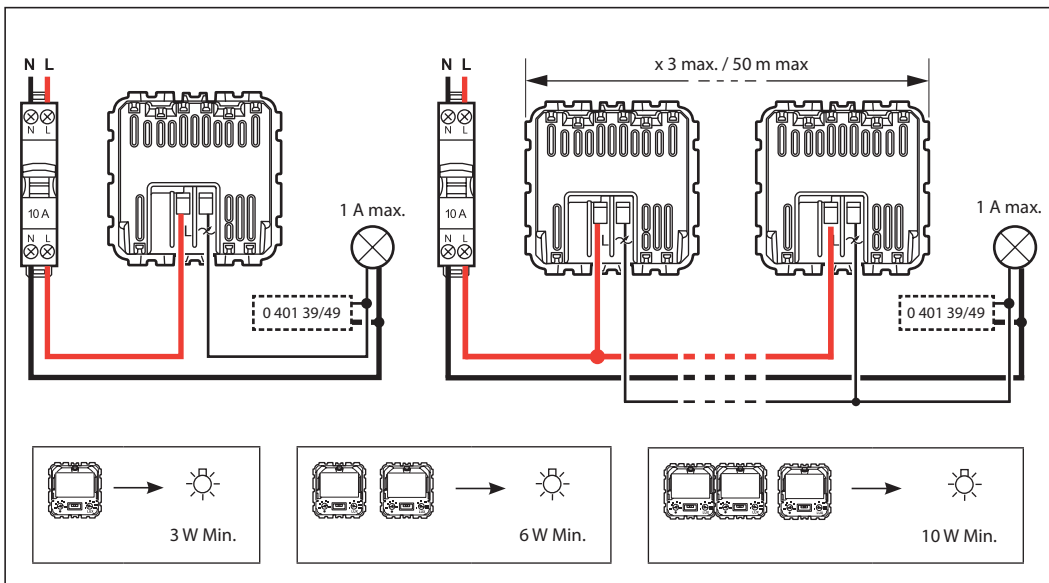
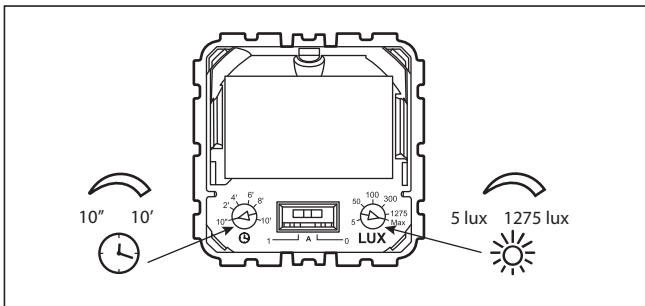
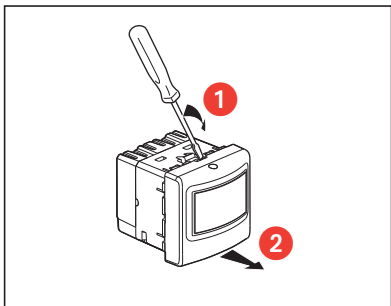
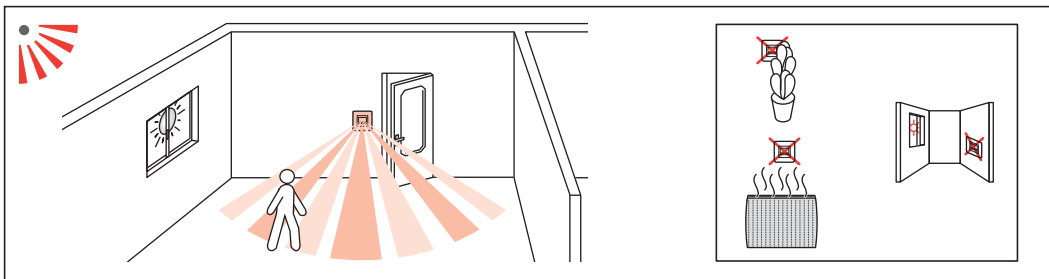
	100 - 240 V~
	50/60 Hz
	2 x 2.5 mm ²
	- 5° C / + 35° C
	PIR / 被动红外线
	300 lux
	15 min.
	8 m

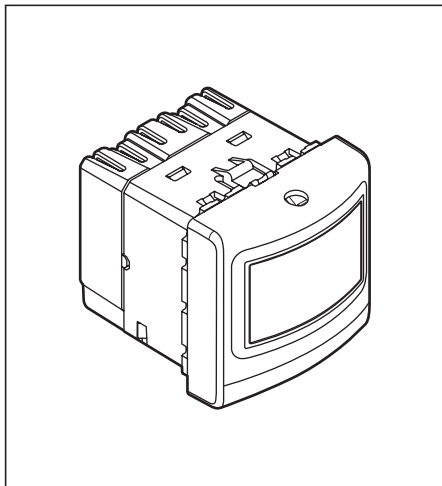
		(*)		(*)		(*)		(*)					
230V~	Max.	250 W	1 A	250 VA	1 A	250 W	1 A	250 W	1 A	100 W	0.4 A	100 W	0.4 A
	Min.	3 W	0.02 A	3 VA	0.02 A	3 W	0.02 A	3 W	0.02 A	3 W	0.02 A	3 W	0.02 A
110V~	Max.	125 W	1 A	125 VA	1 A	125 W	1 A	125 W	1 A	50 W	0.4 A	50 W	0.4 A
	Min.	3 W	0.02 A	3 VA	0.02 A	3 W	0.02 A	3 W	0.02 A	3 W	0.02 A	3 W	0.02 A

- (*) In case of a very low load, a compensator (Cat. No. 0 401 39) might be needed.
- (*) 在负载功率非常低的情况下，可能需要补偿器（型号：0 401 39/49）来配合使用

- ⚠ • On powering up (factory settings), if the load remains lit for more than 2 mins, use compensator Cat. No. 0 401 39
- 上电（出厂设置），如果负载常亮超过两分钟，则需要补偿器 型号：0 401 39/49）来配合使用。







	~ فولط 240 - 100
	50/60 Hz
	2 مم 2 x 2,25
	- 5° C / + 35° C
	أشعة تحت حمراء سلبية
	300 لئس
	15 دقيقة
	8 متر

230V~	Max. 250 W Min. 3 W	Max. 250 VA Min. 3 VA	Max. 250 VA Min. 3 VA	Max. 250 W Min. 3 W	Max. 100 W Min. 3 W	Max. 100 W Min. 3 W
110V~	Max. 125 W Min. 3 W	Max. 125 VA Min. 3 VA	Max. 125 VA Min. 3 VA	Max. 125 W Min. 3 W	Max. 50 W Min. 3 W	Max. 50 W Min. 3 W

(*) في حالة الحمل المنخفض جدا قد تكون هناك حاجة إلى المعوض 040139/49

~ فولط = V
حد أقصى = Max.
حد أدنى = Min.

W = واط
VA = فولط أمبير
A = أمبير

عند تشغيل الطاقة (إعدادات المصنع)، إذا ظل الحمل مضاء لاكثر من دقيقتين، استخدم المعوض 040139/49

