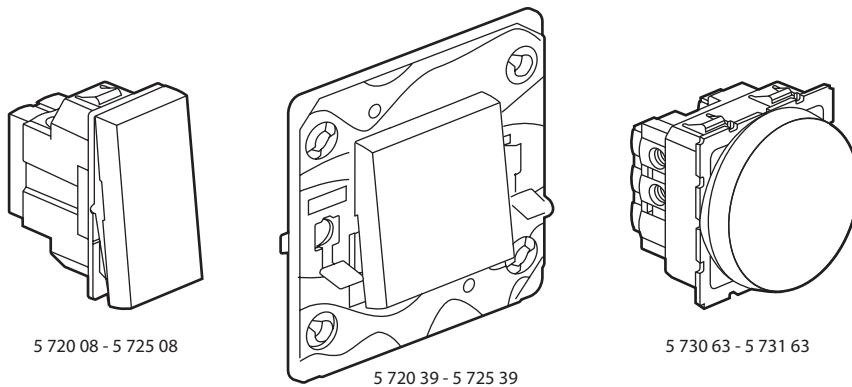


Arteor™ Intermediate switches

Cat. no(s): 5 720 08/38/39 - 5 725 08/38/39
 5 730 63/64 - 5 731 63/64

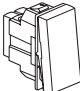
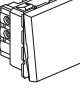
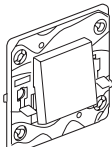
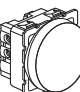
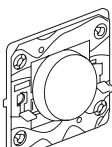


CONTENTS	Page
1. Use	1
2. Range	1
3. Preparation	2
4. Overall dimensions.....	2
5. Connection	2
6. Operation.....	2
7. Technical characteristics.....	2
8. Cleaning.....	2

1. USE

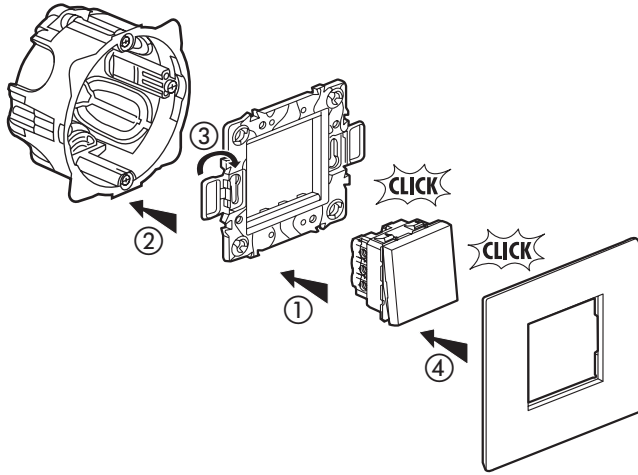
General lighting control mechanisms.

2. RANGE

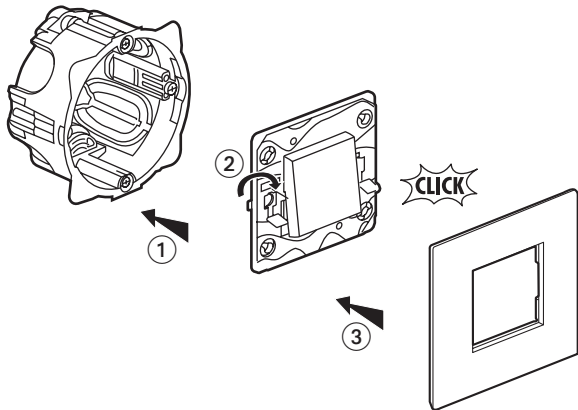
	Designation	Finishes		Number of modules	Connection method	Weight (g)	Characteristics
		White	Magnesium				
	Intermediate switch square	5 720 08	5 725 08	1	with screws	30	10 AX - 250 VAC
	Intermediate switch square	5 720 38	5 725 38	2	with screws	42	6/10 AX - 250 VAC
	Intermediate switch 1-gang square	5 720 39	5 725 39	2	with screws	72	6/10 AX - 250 VAC
	Intermediate switch round	5 730 63	5 731 63	2	with screws	41	6/10 AX - 250 VAC
	Intermediate switch 1-gang round	5 730 64	5 731 64	2	with screws	71	6/10 AX - 250 VAC

3. PREPARATION

The mechanisms can be flush-mounted or surface-mounted.

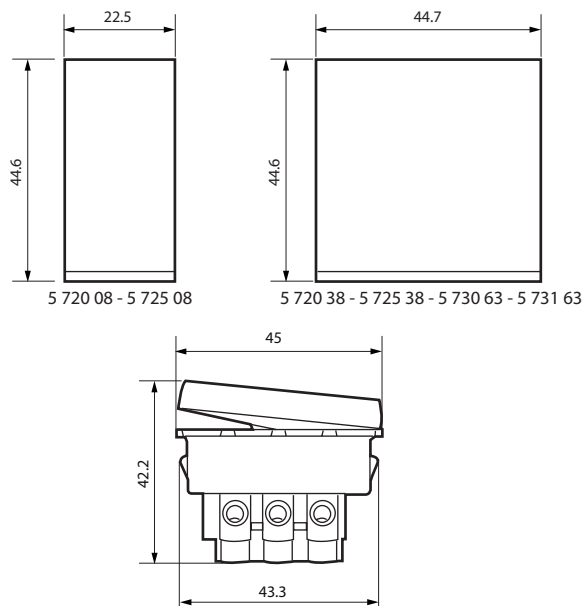


For: 5 720 08/38 - 5 725 08/38 - 5 730 63 - 5 731 63

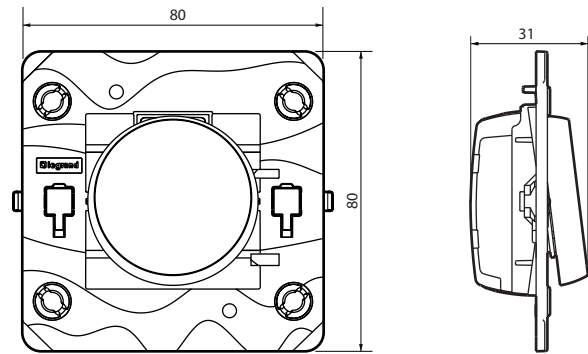


For: 5 720 39 - 5 725 39 - 5 730 64 - 5 731 64

4. OVERALL DIMENSIONS



4. OVERALL DIMENSIONS (continued)



5 720 39 - 5 725 39 - 5 730 64 - 5 731 64

5. CONNECTION

Terminals: with screws

Capacity and stripping:

	Capacity			Stripping
	4 x 2.5 mm ²	1 x 4 mm ²	1 x 6 mm ²	
5 720 08 - 5 725 08				8 mm
5 720 38/39 - 5 725 38/39 5 730 63/64 - 5 731 63/64	2 x 2.5 mm ²	1 x 4 mm ²		10 mm

Screwdriver: 4 mm flatblade up to 5.5 mm

6. OPERATION

Switching mechanism

7. TECHNICAL CHARACTERISTICS

■ 7.1 Mechanical characteristics

Impact tests: IK 04

Protection by solid bodies / liquids: IP 40 (mounted)
IP 20 (alone)

■ 7.2 Material characteristics

Rocker: Polycarbonate

Base: Polycarbonate

Basket: Polypropylene

■ 7.3 Electrical characteristics

Voltage: 250 VAC

Current: 6/10 AX

Self-extinguishing: 650° C / 30 s

■ 7.4 Climatic characteristics

Storage temperatures: - 10° C to + 70° C

Operating temperatures: - 5° C to + 50° C

8. CLEANING

Surface cleaning with a cloth.

Do not use: acetone, tar remover, trichloroethylene.

Resistance to the following agents: Hexane (EN 60669-1), Methylated spirits, Soapy water, Diluted ammonia, Diluted pure bleached 10%, Glass cleaning substance, Pre-impregnated wipes.

Caution: A preliminary test should be carried out if other specific cleaning products are to be used.